



**Features**

- Over 28 finishes including 13 PVD finishes
- All brass construction
- No additional wall or trap stabilizer kit required
- Tub filler: Maximum flow rate: 15 gpm (56.8 L/min) at 60 psi
- Handshower: Flow rate: 2.0 gpm (7.6 L/min) or 1.8 gpm (6.8 L/min)
- Handshower bracket may be placed on COLD or HOT side of body
- 1/4 turn ceramic disc cartridges
- Rough kit (9516) sold separately

**0903-XX.20**  
**0903-XX.18**



0903-30K.FR SHOWN

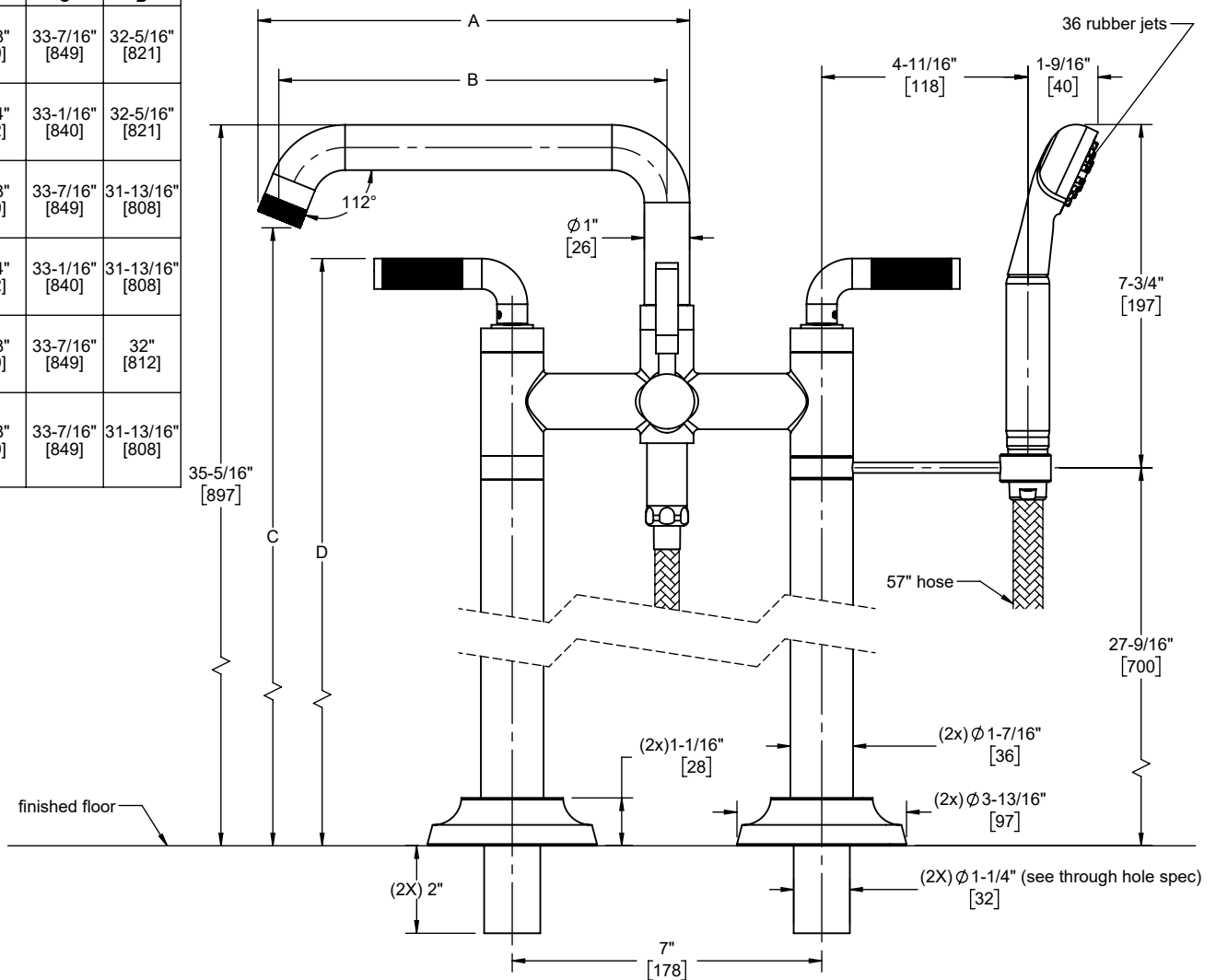


XX = DENOTES HANDLE SERIES

**Codes/Standards Applicable**

- Product meets or exceeds the following:
- ASME A112.18.1/CSA B125.1
  - CEC (1.8 gpm) / DOE (2.0 & 1.8 gpm)
  - Commonwealth of MA
  - EPA WaterSense handshower (2.0 gpm)
  - ADA compliant (with lever handles)
  - Local codes may require installation of an upstream tempering valve

HANDLE	A	B	C	D
30 30F	9-5/8" [244]	8-5/8" [219]	33-7/16" [849]	32-5/16" [821]
30K	9-3/4" [248]	8-3/4" [222]	33-1/16" [840]	32-5/16" [821]
30X 30XF	9-5/8" [244]	8-5/8" [219]	33-7/16" [849]	31-13/16" [808]
30XK	9-3/4" [248]	8-3/4" [222]	33-1/16" [840]	31-13/16" [808]
80	9-5/8" [244]	8-5/8" [219]	33-7/16" [849]	32" [812]
80W 80WB 80WR	9-5/8" [244]	8-5/8" [219]	33-7/16" [849]	31-13/16" [808]



- (8x) concrete tri-lobe anchor
- (8x) #10 X 2 stainless steel screw

Through-Hole Specifications		
Min	Recommende d	Max
∅ 1-1/4"	∅ 1-5/16"	∅ 1-1/2"

Dimensions are inches, rounded to 1/16"  
[Dimensions in brackets are mm, rounded to 1mm]

Specifications subject to change without notice