



California Faucets®

Descanso®

Single Hole Lavatory Faucet

Features

- 25+ artisan finishes including 12 PVD finishes
- All brass construction
- 4-5/8" spout center to center
- Single handle operation cartridge with ceramic disc
- Flexible braided hoses for ease of installation
- 1.2 gpm (4.5 L/min) max flow rate

Codes/Standards

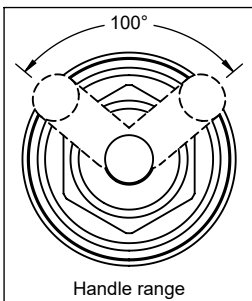
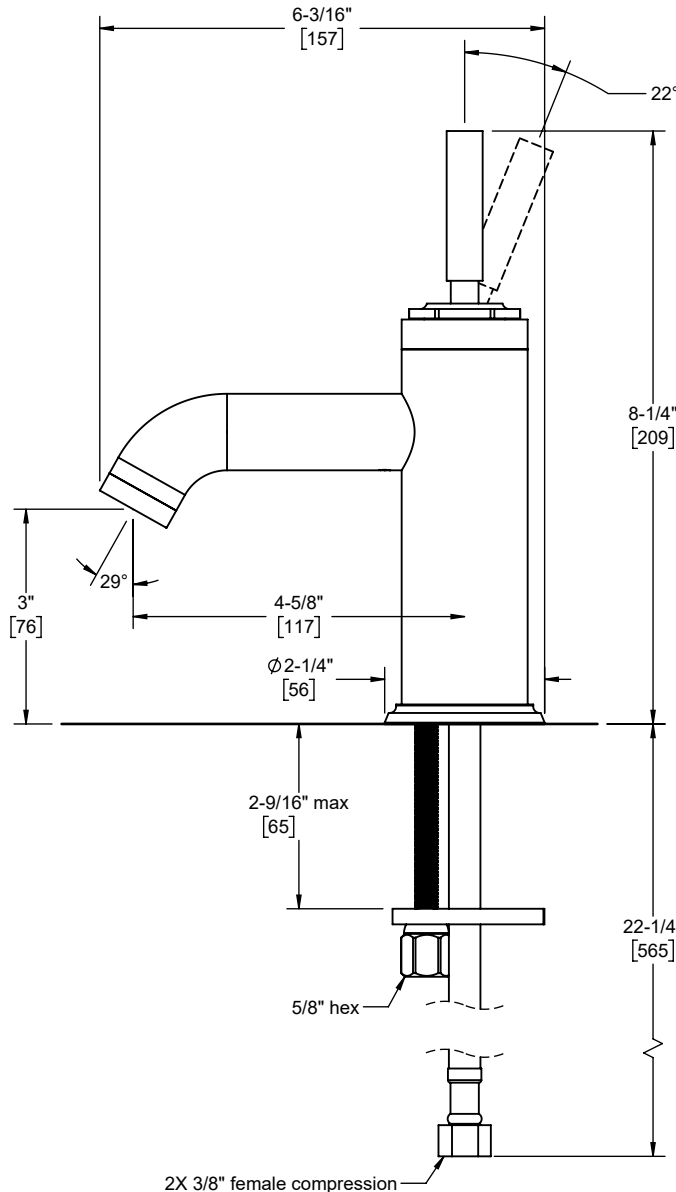
Product meets or exceeds the following:

- ASME A112.18.1/CSA B125.1
- NSF 61, NSF 372, CEC & DOE
- EPA WaterSense
- Commonwealth of MA
- ADA compliant

3001-1
3001K-1
3001F-1
3001T-1



3001K-1 shown



Through-Hole Specifications		
	Min	Recommended
Spout:	Ø 1-1/4" [32]	Ø 1-3/8" [35]

Dimensions are inches, rounded to 1/16"
[Dimensions in brackets are mm, rounded to 1mm]

Specifications subject to change without notice