



California Faucets®

# Steampunk Bay®

Wall Mount Tub Filler with Handshower

## Features

- All brass construction
- Over 28 finishes including 13 PVD finishes
- Tub filler Maximum flow rate: 15 gpm (58.6 L/min) at 60 psi
- Handshower flow rate: 2.0 gpm (7.6L/min) or 1.8 gpm (6.8 L/min)
- 1/4 turn ceramic disc cartridges
- Replace .FR with desired max flow rate:  
8508X-ETW.20 for 2.0 gpm  
8508X-ETW.18 for 1.8 gpm

## Codes/Standards

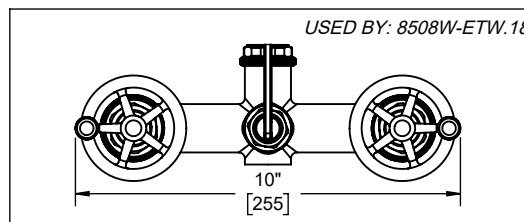
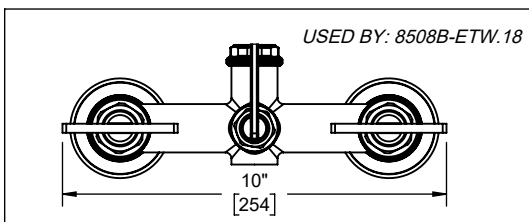
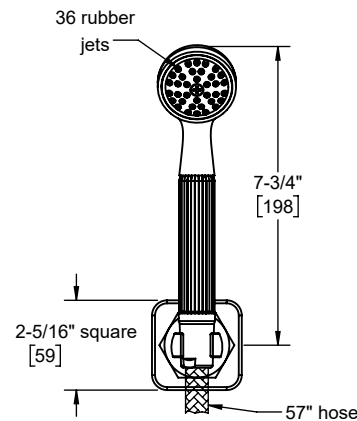
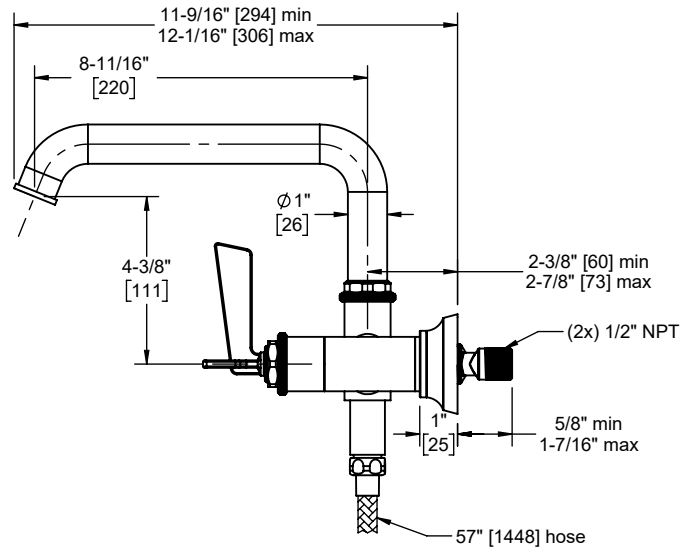
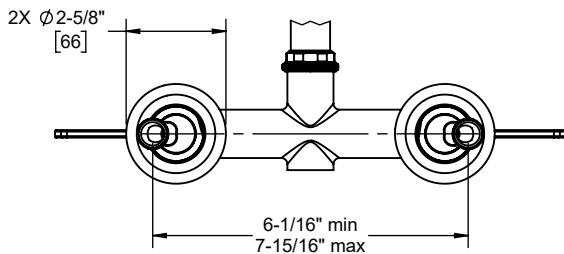
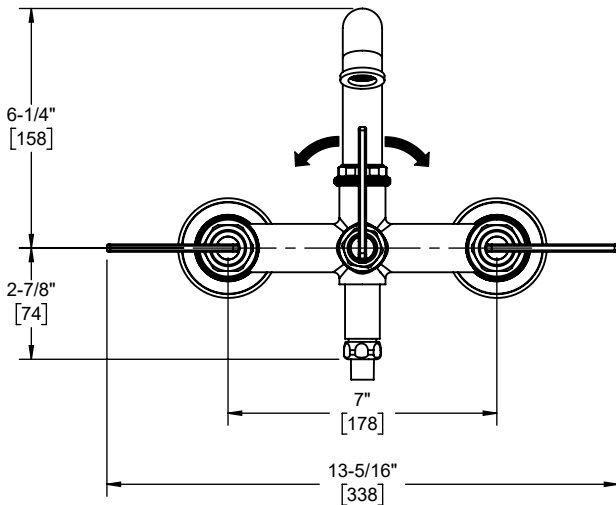
Product meets or exceeds the following:

- ASME A112.18.1/CSA B125.1
- CEC (1.8 gpm) / DOE (2.0 & 1.8 gpm)
- Commonwealth of MA
- EPA WaterSense (2.0 gpm)
- ADA compliant (with lever handles)
- Local codes may require installation of an upstream tempering valve



8508B-ETW.18 SHOWN

8508W-ETW.20  
8508W-ETW.18  
8508B-ETW.20  
8508B-ETW.18  
8508-ETW.20  
8508-ETW.18



(1x) plastic #8-10 finned anchor  
(1x) #10 X 2" stainless steel screw

Through-Hole Specifications		
Min	Recommended	Max
Ø 1-13/16" [46]	Ø 1-7/8" [48]	Ø 2" [51]

Specifications subject to change without notice

Dimensions are in inches, rounded to 1/16"  
[Dimensions in brackets are mm, rounded to 1mm]