



Sink - VAIA

Wall-mounted three-hole lavatory mixer without drain - polished chrome

Article number: 36 712 819-00 0010



- 7-1/2" Projection
- Rigid spout
- Round aerated stream
- Valve hole diameter 1-1/2"
- Spout hole diameter 1-5/8"
- Flanges, diameter 2-3/8"
- Water flow rate limited to max. 1.2 gpm
- lead-free
- (ADA)

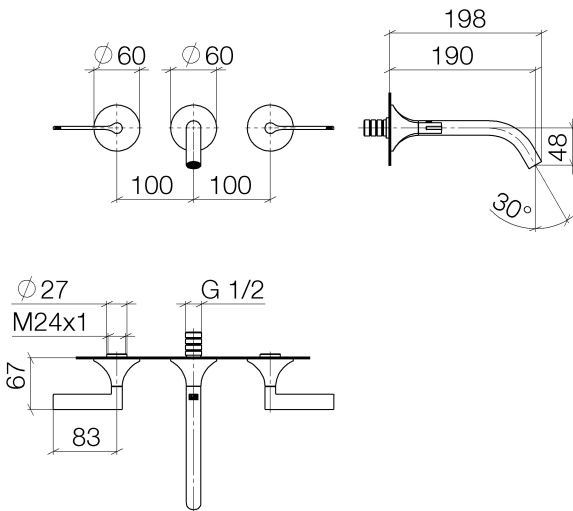


polished chrome



Accessory is required for this item.

Dimensional drawing





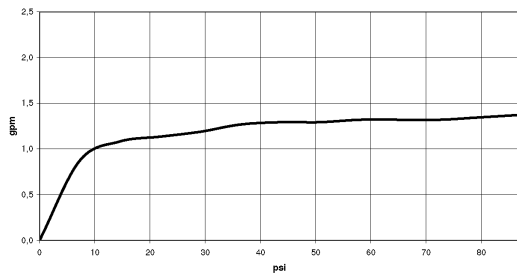
Sink - VAIA

Wall-mounted three-hole lavatory mixer without drain - polished chrome

Article number: 36 712 819-00 0010

All dimensions in mm / inch = mm x 0,0394

Flow rate chart





Sink - VAIA

Wall-mounted three-hole lavatory mixer without drain - polished chrome

Article number: 36 712 819-00 0010

Other surface finishes



platinum matte

36 712 819-06 0010



platinum

36 712 819-08 0010



Brushed Durabrass

36 712 819-28 0010



Dark Platinum matte

36 712 819-99 0010

More custom finish options are available via special production (xTra Service). Please see our finish matrix for availability and pricing or contact a Dornbracht representative.

Required article



35 707 970-90 0010

Rough for wall-mounted
faucet spout in center -



35 712 970-90 0010

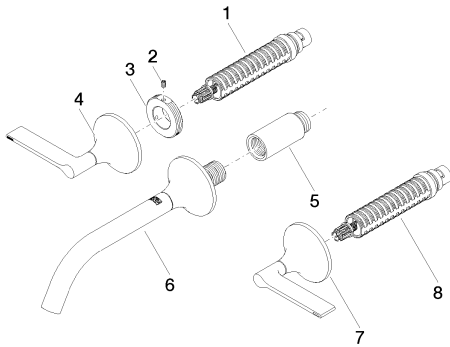
Rough for wall-mounted
faucet flexible positioning -

Sink - VAIA

Wall-mounted three-hole lavatory mixer without drain - polished chrome

Article number: 36 712 819-00 0010

Spare parts list



Number	Item Number	Designation	Number of units
1	90 90 03 157 00 90	top	1
2	09 31 11 008 90	pin	2
3	09 21 02 163 90	disc	2
4	90 20 80 013 00-00	handle (hot)	1
5	09 24 03 081 10 90	extension	1
6	13 800 809-00 0010	Lavatory spout, wall-mounted without drain - polished chrome	1
7	90 20 80 012 00-00	handle (cold)	1
8	90 90 03 156 00 90	top	1