

Toilet Tissue Holder **2806R**

Features

- Solid brass construction
- Single-post, open roller design
- Complements Surface product series

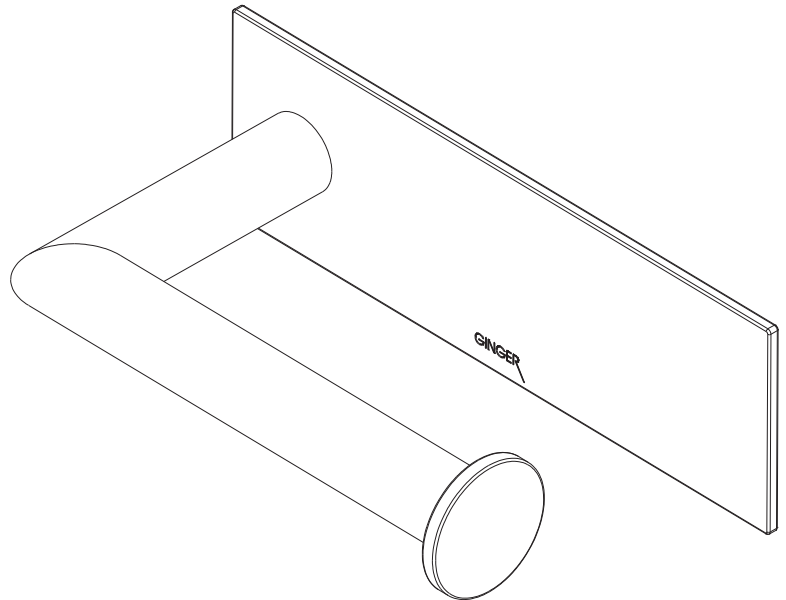
Codes / Standards Compliance

Meets or exceeds the following at date of manufacture:

- All applicable US Federal and State material regulations

Colors / Finishes

- PC: Polished Chrome
- SN: Satin Nickel



Specified Model

Model	Description	Colors Finishes	
2806R	Open Toilet Tissue Holder (Right)	<input type="checkbox"/> PC	<input type="checkbox"/> SN

Product Specification: Add "Color / Finish" Suffix to Model Number Below.

The Toilet Tissue Holder shall be made of solid brass construction and incorporate a single-post, open roller design. Toilet Tissue Holder shall complement Ginger Surface product series. Toilet Tissue Holder shall be Ginger Model 2806R/_____.

2806R

Product Dimensions (units are in inches)

