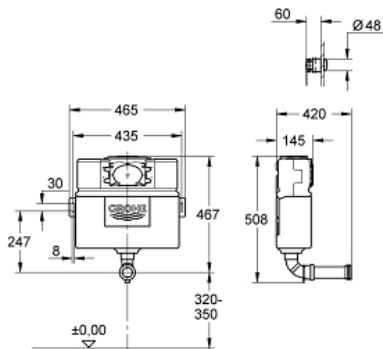


EAU40
Wall Carrier Flushing Cistern
MODEL # 38691000

Pure Freude
an Wasser

GROHE



Product Description:

EAU40

Wall Carrier Flushing Cistern

Standard Specification:

- 1.6 gal / .8 gal
- **Dual Flush**
- Low noise filling valve
- 1.6 - 2.4 gal adjustable
- Concealed installation
- **32" installation height**
- Water supply from left, right, or back
- Connection from left, right, or back
- Non-interruptible flush cycle
- Front or top single 6 l only flush
- Water supply from left, right, or top
- Low noise (group I acc. to/German Noise Specification)
- Insulated against condensation
- 16 1/4" x 16 1/8" x 14 1/8"
- With 1/2" angle stop valve and flush pipe
- 1/2" water supply connection
- 1/2" angle valve
- Mounting brackets
- Flush pipe
- **Without wall plate/actuation**
- Protecting block
- Min. recommended static pressure 3 psi
- **Pneumatic push button activation**
- Front or top actuation
- Hose extension for plate actuation
- Sleek and minimal styling allows the button to be fitted in any 360° orientation
- **GROHE EcoJoy** technology for less water and perfect flow

Color:

□ 38691000