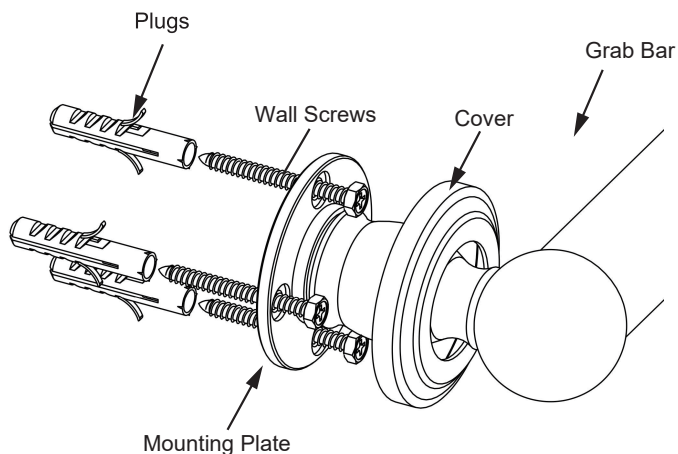


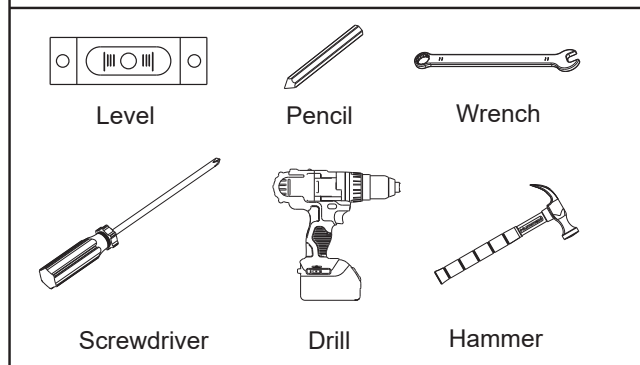
FLORENCE COLLECTION

GRAB BAR

- 12" 3229212
- 18" 3229218
- 24" 3229224
- 32" 3229232
- 36" 3229236
- 42" 3229242



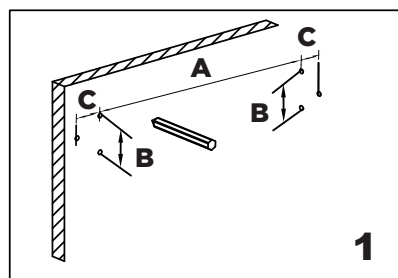
Tools required for installation



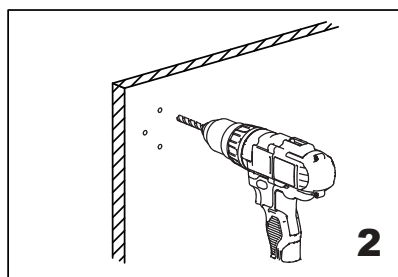
A=Plate TOP holes center to center distance
 B=Plate TOP hole to BOTTOM hole distance
 C=Plate TOP/BOTTOM holes to MID hole distance

Product Code	Sizes (Inches/mm)		
	A	B	C
3229212	11 3/4" /300	1 3/4"/45	1"/22.5
3229218	17 3/4"/450	1 3/4"/45	1"/22.5
3229224	23 5/8"/600	1 3/4"/45	1"/22.5
3229232	31 1/2"/800	1 3/4"/45	1"/22.5
3229236	35 1/2"/900	1 3/4"/45	1"/22.5
3229242	42 1/8"/1070	1 3/4"/45	1"/22.5

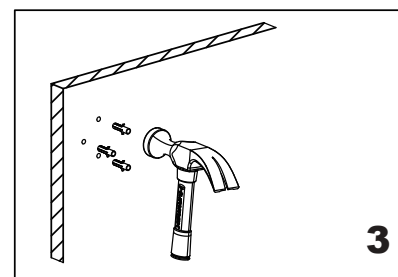
Fig.1



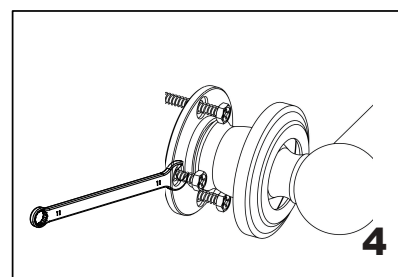
Mark (on the wall) locations of plugs through mounting plate using a pencil, refer to Fig.1



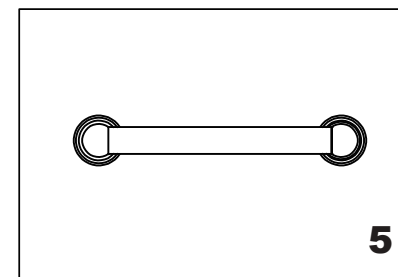
Drill 3/16" holes, make sure to keep drill level



Insert plugs into drilled holes, using a hammer to tap the plugs in, be careful not to break tile



Driver bolt nut directly into holes



Tighten the cover on the Mounting plate