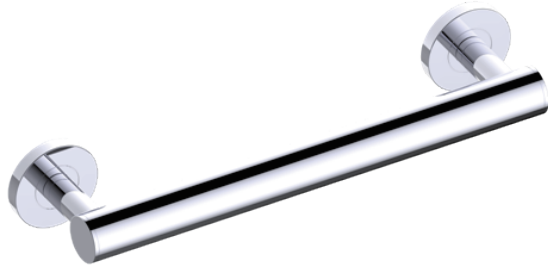




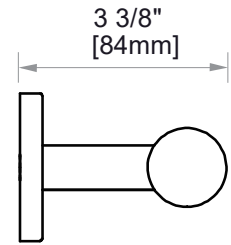
ADA Compliant



9100 SERIES

GRAB BAR 36"

8289136



PRODUCT NAME: GRAB BAR (1.25"/32MM)

SIZE: 36"

PRODUCT CODE: 8289136

MATERIAL: All-brass construction

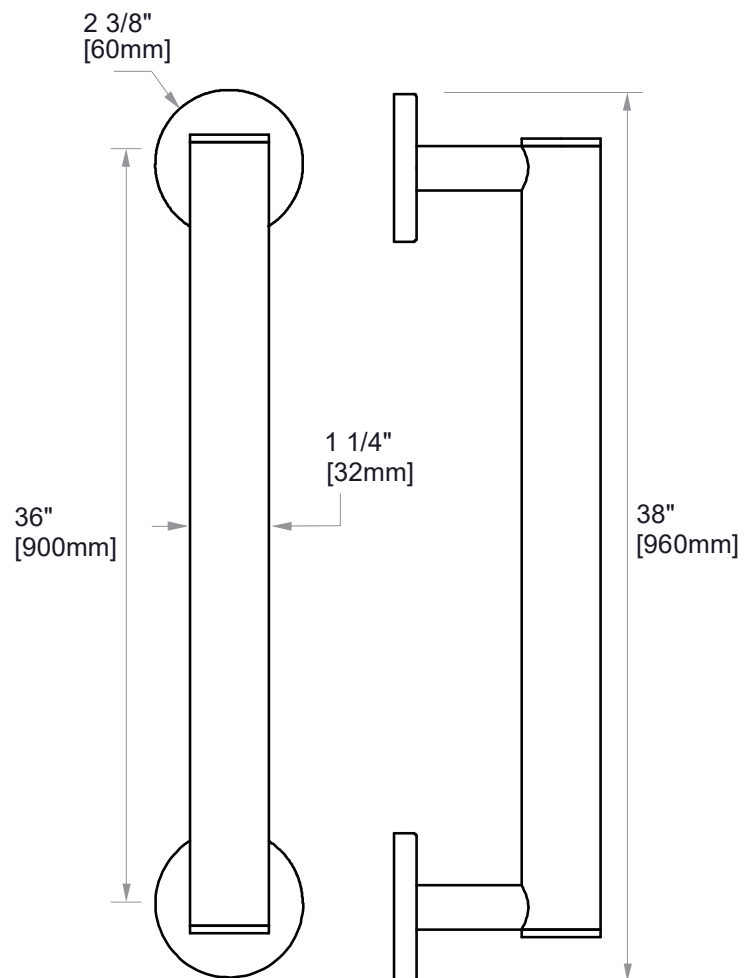
STOCKED FINISHES:

- Polished Chrome (99)
- Brushed Nickel (81)
- Polished Nickel (68)
- Matte Black (48)

SPECIAL FINISHES AVAILABLE: Please see our website for full list samples

WARRANTY:

Lifetime Limited (Residential Use)
One Year (Commercial Use)



NOTE: Dimensions and specifications are subject to change without notice.