

## FREE STANDING DOUBLE TOWEL RAIL-ROUND KFS-RD-SP-DTR

**PRODUCT NAME:** DOUBLE TOWEL RAIL--ROUND

**PRODUCT CODE:** KFS-RD-SP-DTR

**MATERIAL:** All-brass construction

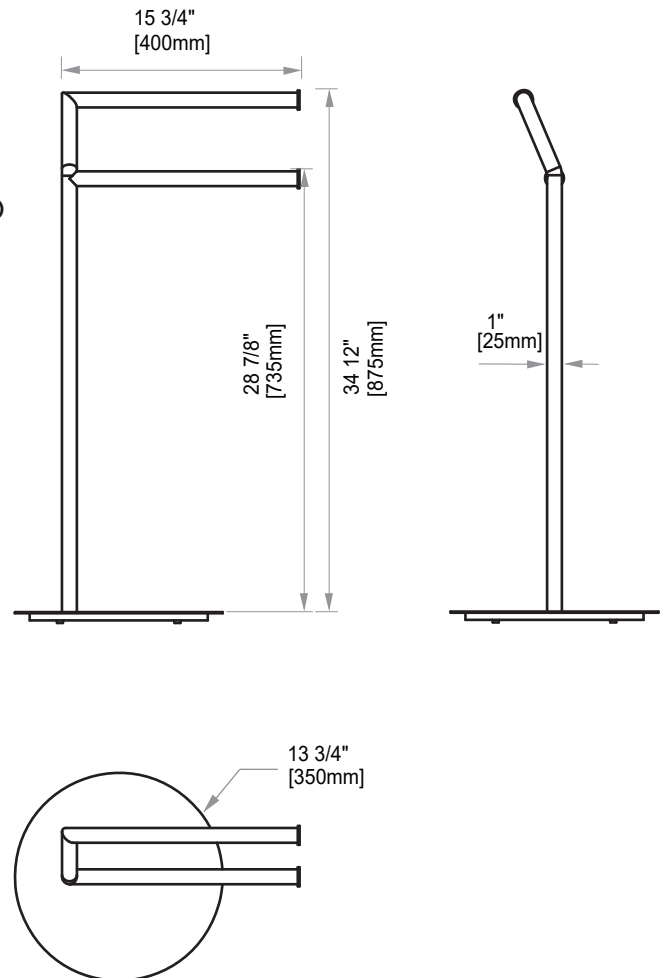
**STOCKED FINISHES:**

- Polished Chrome (99)
- Brushed Nickel (81)
- Matte Black (48)

**SPECIAL FINISHES AVAILABLE:** Please see our website for full list of samples

**WARRANTY:**

Lifetime Limited (Residential Use)  
One Year (Commercial Use)



NOTE: Dimensions and specifications are subject to change without notice.