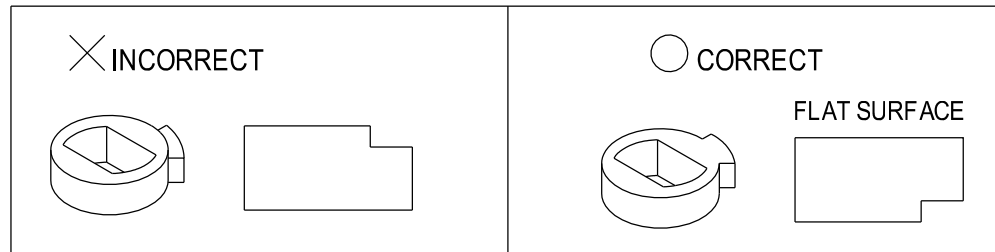
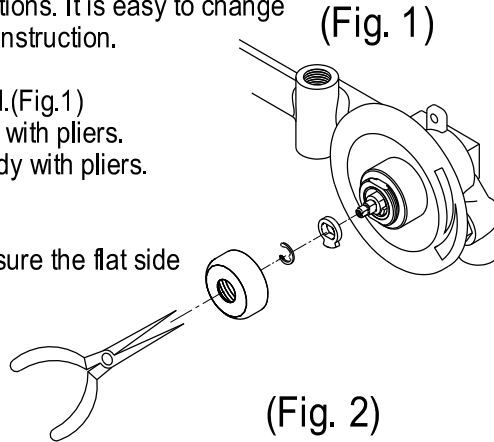


Back to Back installation instructions

In situations where the hot and cold water inlet supplies are not in the standard positions, a reversible type cartridge can be used. A reversible cartridge will allow you to modify the direction of the water supply to the correct orientation without changing the pipe locations. It is easy to change the installation by yourself by using the following instruction.

1. Remove the handle(1) from the body with hand.(Fig.1)
2. Remove the "E" clip(2) from the cartridge body with pliers.
3. Remove the stem ring(3) from the cartridge body with pliers.
4. Reverse the cartridge stem by turning 180.
5. Replace the stem ring into the cartridge make sure the flat side is on top. (See Fig.2)
6. Replace the "E" clip onto the cartridge body.
7. Reinstall the cap to the body and hand tighten.

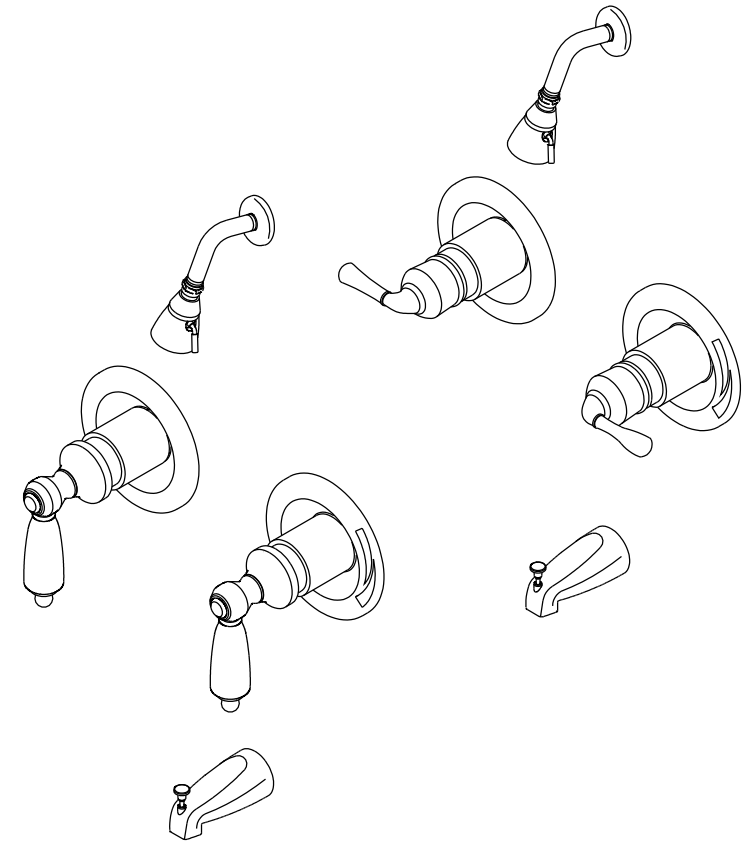


CAUTION!!!

1. Water lines must be completely flushed before use, to avoid debris & clogs in your water system leading to reduction of water flow and mal-functioning.
2. Warranty is void if water lines are not flushed prior to use and installation of the new faucet.
3. Use of abrasives of any strength may damage the finish of the faucet and void the product warranty.
4. Do not over tighten your faucet on the countertop during installation. The valve assembly is tested to meet the standards set by ASME A112.18.1 sec 5.8 which is listed at 100 LBF. However, over-tightened or over-torqued nuts may lead to cracks on the valve and will eventually lead to leaking and water damage.
5. Before installation of the faucet to the desired fixture, you need to secure and anchor your console, sink, tub, or vanity cabinet firmly to the wall and to the floor. To ensure your fixture or faucet mounting surface cannot be moved, before installation of the faucet, please test to see if the cabinet or vanity can be moved by hand or body weight. If the faucet mounting fixture is not secure and anchored, it will eventually crack the valve and cause leaking leading to property damage. In order to avoid this, be sure to secure your installation surface. Do not use any Power Tools for assembly and installation which can cause internal fractures to the fixture.

KINGSTON BRASS

THE TRADITION OF FINE BRASS



www.kingstonbrass.com

TOLL-FREE CUSTOMER SERVICE: 1-877-2-KBRASS

TECHNICAL SUPPORT E-mail: service@kingstonbrass.com

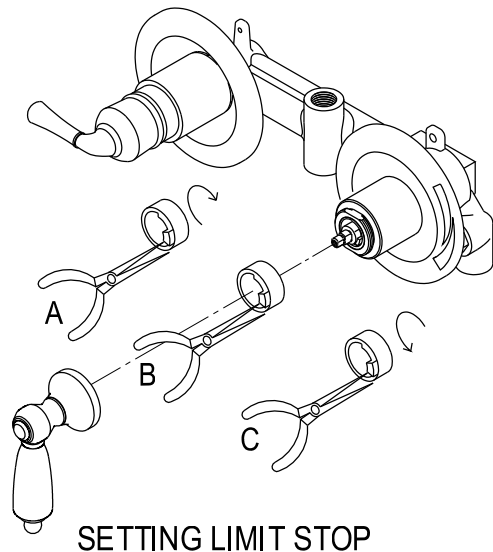
12775 Reservoir Street, Chino, CA91710

KINGSTON BRASS

THE TRADITION OF FINE BRASS

INSTALLATION INSTRUCTIONS

For Use With KB's Pressure Balancing Valve Tub & Shower



* Attach the handle to the valve. Secure the handle with screw making sure the handle is installed correctly.

*The limit stop is preset by the manufacturer so that the discharge temperature will not exceed 49°C(120°F). However, the preset temperature can be changed by first removing the handle and then removing the limit stop(Red Knob). Catch the red knob with long nose pliers and pull out from the cartridge for a higher temperature.

(A) Reinstall to the left of the original position in the cartridge for higher temperature.

(B) Reinstall to the right of the original position in the cartridge for a lower.

*Replace handle to the valve.

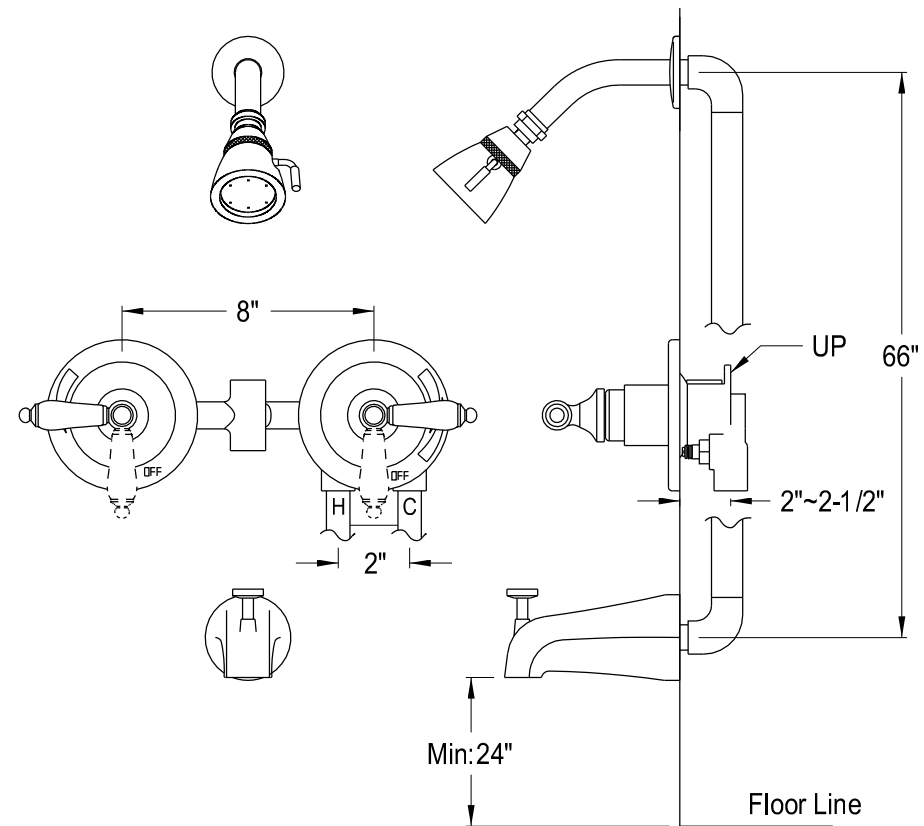
Warning: Failure to adjust the limit stop screw properly may result in serious scalding. This shower system may not protect the user from scalding when there is a failure of other temperature controlling devices elsewhere in the plumbing system.

For New Installation:

An optional plaster guard has been included. This is used as a template for hole size and to protect the valve during construction.

For New Installation:

To clean, wipe gently with a soft cloth, then wipe dry. Do not use abrasive, detergents or polishes, as this could damage the finish and void the warranty.



Pressure Balanced Tub & Shower Set INSTALLATION INSTRUCTIONS:

1. Turn off water supplies.
2. Install valve, marking sure 'up' outlet is facing up. Connect water supplies to valve. (Hot water to left side and cold to right side.) Use compound or tape on all threaded connections.
3. Connect shower and spout units to valve. Do not attach showerhead to shower arm until after you have flushed the system. If no shower is to be installed, use a 1/2" plug to close top opening of valve. If no spout is to be installed, use a 1/2" plug to close bottom opening of valve.
4. After all connection are made. Test and flush the system. Turn on the water and check connections for any leaks. Place handle on valve stem and flush lines by running hot and cold water uninterrupted for one minute.
5. Turn off the water and connect the showerhead.
6. Remove handle. Push valve escutcheon over protruding valve assembly and secure with screws. Then replace handle.