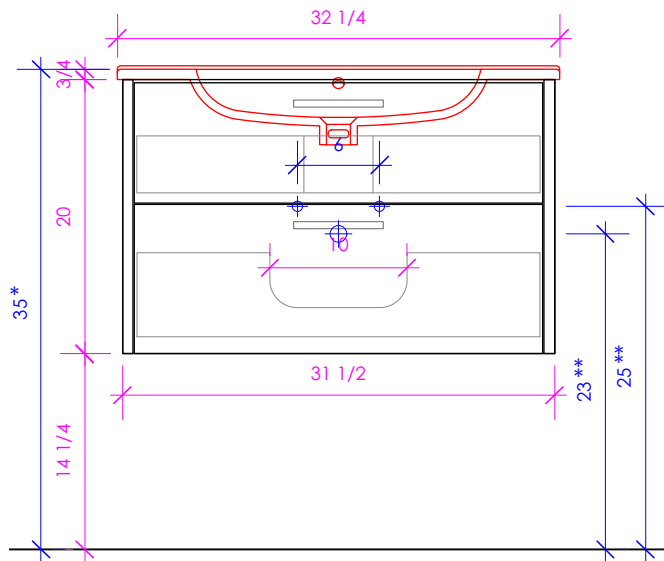
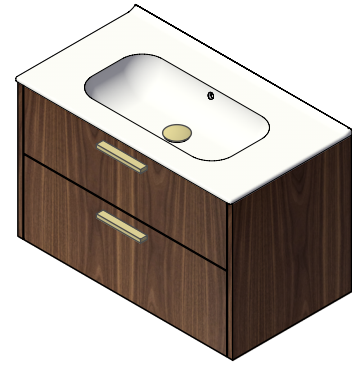


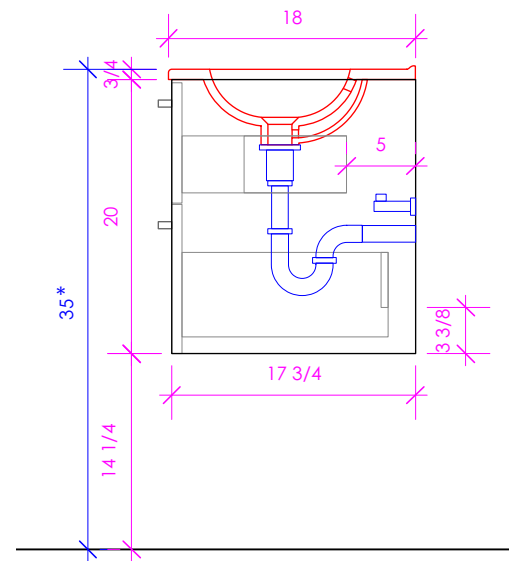
# LACAVA

## AQUATRE

AQT-WB-32



SHOWN WITH 8074 SINK



\* Recommended installation height  
\*\* Recommended plumbing location

### FEATURES:

- WALL MOUNT VANITY
- TWO DRAWERS WITH SELF-CLOSE GLIDES
- DRAWER BOXES STAINED TO REFLECT EXTERIOR FINISH
- USED WITH 8074 OR 8074S SINK (SOLD SEPARATELY)
- DECORATIVE HARDWARE K450 INCLUDED BUT NOT INSTALLED - CAN BE INSTALLED UPON REQUEST
- \*\*\*\*SPECIFY K450 FINISH WHEN PLACING ORDER\*\*\*\*
- POLISHED CHROME, POLISHED NICKEL, BRUSHED NICKEL,**
- MATTE BLACK, MATTE WHITE, SATIN BRASS**
- MOUNTING: FRENCH CLEAT (INCLUDED)  
  (SEE FURNITURE MANUAL)
- PROUDLY HANDMADE IN THE USA
- MANUFACTURED WITH LOW VOC FINISHES AND WOOD FROM RENEWABLE FORESTS

### FINISHES:

#### WOOD:

##### STANDARD:

- 02 - NATURAL CHERRY
- 07 - NATURAL WALNUT \*\*\*
- 24 - CLASSIC WALNUT
- 20 - ASH GRAY \*\*\*
- 06 - WENGE
- 33 - AFRICAN MAHOGANY

##### PREMIUM:

- 22 - GRAY ZEBRA
- 31 - WHITE OAK
- 27 - RUSTIC
- 47 - SMOKY WALNUT
- 08 - MATTE WHITE \*\*\*
- 35 - MATTE ARDESIA
- 54 - MATTE TAUPE
- 16 - MATTE BLACK

##### LUXURY:

- 37 - WEATHERED OAK
- 52 - SILVER OAK
- 50 - HORIZON BLUE
- 85 - GLOSS WHITE
- 88 - GLOSS ARDESIA
- 84 - GLOSS TAUPE
- 86 - GLOSS BLACK

\*\*\* WOOD FINISHES AVAILABLE \*\*\*  
AS PART OF QUICKSHIP PROGRAM

- 46 - DRIFTWOOD \*NEWTERRA ONLY\*
- 08T1 - WHITE W/ TEXTURE
- 35T1 - ARDESIA W/ TEXTURE
- 54T1 - TAUPE W/ TEXTURE
- 16T1 - BLACK W/ TEXTURE

#### COUNTERTOP:

##### STONE:

- WH - BIANCO
- LN - LINAC
- SL - ATHENS

##### QUARTZ:

- PR - PURO
- AH - ASH

##### SOLID SURFACE:

- M - SATIN WHITE
- G - POLISHED WHITE
- R - MARMO
- V - LAVA
- D - OBSIDIAN

##### CONCRETE:

- SND - SAND
- SLT - SLATE
- TER - TERRACOTTA
- CHL - CHARCOAL

#### METALS:

##### METAL:

- 21 - BRUSHED STAINLESS STEEL
- 10 - POLISHED STAINLESS STEEL
- 44 - MATTE BLACK
- MW - MATTE WHITE
- BPW - BRASS POWDER COAT

LACAVA reserves the right to revise any dimension or information on this sheet without notice. Dimensions are nominal and may vary within an industry accepted tolerance of 1/4". Cabinets with 'vanity top' sinks are made to the matching sink and dimensions may vary. LACAVA is not responsible for any cutouts, countertops, or furniture made without the actual product or template. Differences in color, grain, appearance, and texture are inherent in all natural woodwork and should be expected. Variances in these qualities are not deemed manufacturing defects and will not be accepted as valid reasons for return or exchanges. Plumbing specifications are only a guideline and may need alteration based on application.

6630 WEST WRIGHTWOOD  
CHICAGO, IL 60707

PH: 773-637-9600  
FAX: 773-637-9601

LACAVA.COM  
INFO@LACAVA.COM