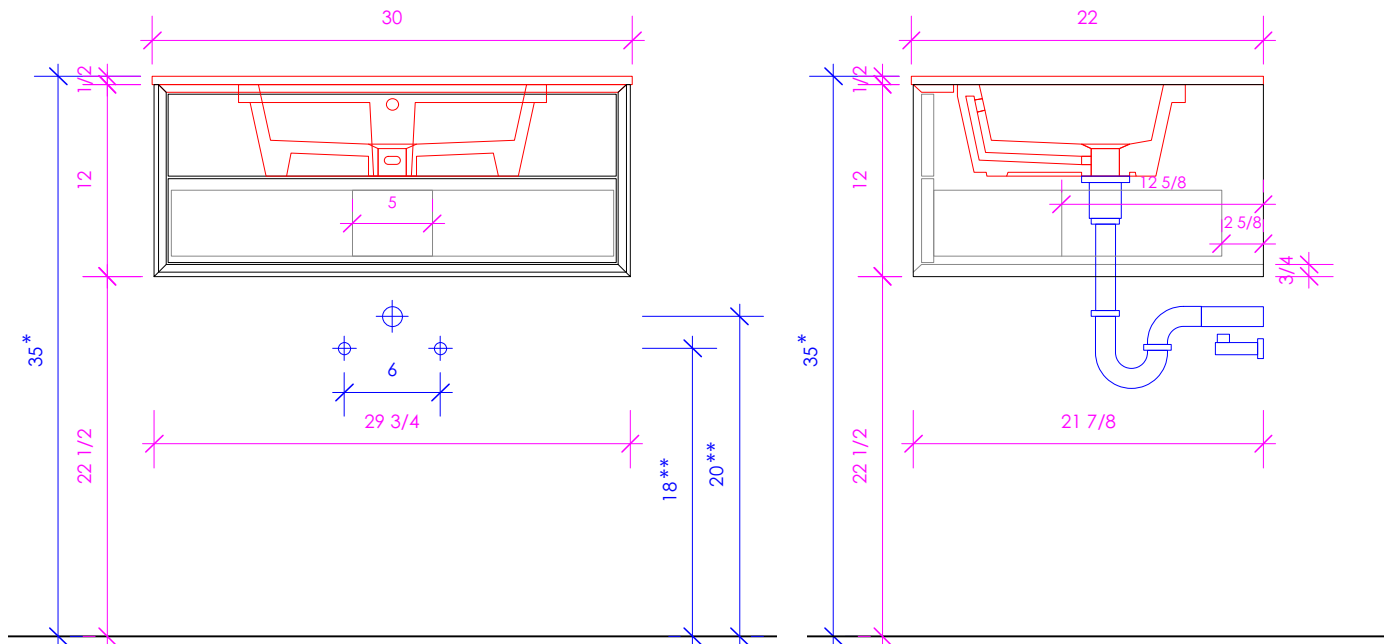


# LACAVA

## GEMELLI

GEM-UN-30



\* Recommended installation height  
 \*\* Recommended plumbing location

### FEATURES:

- WALL MOUNT VANITY
- ONE DRAWER WITH SELF-CLOSE GLIDES
- INTERIOR DRAWER STAINED TO REFLECT EXTERIOR FINISH
- DECORATIVE EDGE DETAILING
- INTEGRATED COUNTERTOP DETAILING
- DECORATIVE HARDWARE **K510** INCLUDED BUT NOT INSTALLED - CAN BE INSTALLED UPON REQUEST
- USED WITH **GEM-UN-30T** COUNTERTOP AND **5452UN** SINK (SOLD SEPARATELY)
- PROUDLY HANDMADE IN THE USA
- MANUFACTURED WITH LOW VOC FINISHES AND WOOD FROM RENEWABLE FORESTS

### FINISHES:

#### WOOD:

##### STANDARD:

- 02 - NATURAL CHERRY
- 07 - NATURAL WALNUT
- 24 - CLASSIC WALNUT
- 20 - ASH GRAY
- 06 - WENGE
- 33 - AFRICAN MAHOGANY

##### PREMIUM:

- 22 - GRAY ZEBRA
- 31 - WHITE OAK
- 47 - SMOKY WALNUT
- 08 - MATTE WHITE
- 35 - MATTE ARDESIA
- 54 - MATTE TAUPE
- 16 - MATTE BLACK

##### LUXURY:

- 37 - WEATHERED OAK
- 52 - SILVER OAK
- 50 - HORIZON BLUE
- 85 - GLOSS WHITE
- 88 - GLOSS ARDESIA
- 84 - GLOSS TAUPE
- 86 - GLOSS BLACK
- 08T1 - WHITE W/ TEXTURE
- 35T1 - ARDESIA W/ TEXTURE
- 54T1 - TAUPE W/ TEXTURE
- 16T1 - BLACK W/ TEXTURE

#### COUNTERTOP: **GEM-UN-30T**

##### STONE:

- WH - BIANCO
- LN - LINAC
- SL - ATHENS
- BN - STORM

##### QUARTZ:

- PR - PURO
- FS - FOSSIL
- AH - ASH
- CA - CREMA

##### SOLID SURFACE:

- M - SATIN WHITE
- G - POLISHED WHITE

#### METALS:

##### METAL:

- 21 - BRUSHED STAINLESS STEEL
- 10 - POLISHED STAINLESS STEEL
- 51 - BRUSHED BRASS
- 44 - MATTE BLACK

LACAVA reserves the right to revise any dimension or information on this sheet without notice. Dimensions are nominal and may vary within an industry accepted tolerance of 1/4". Cabinets with 'vanity top' sinks are made to the matching sink and dimensions may vary. LACAVA is not responsible for any cutouts, countertops, or furniture made without the actual product or template. Differences in color, grain, appearance, and texture are inherent in all natural woodwork and should be expected. Variances in these qualities are not deemed manufacturing defects and will not be accepted as valid reasons for return or exchanges. Plumbing specifications are only a guideline and may need alteration based on application.

6630 WEST WRIGHTWOOD  
 CHICAGO, IL 60707

PH: 773-637-9600  
 FAX: 773-637-9601

LACAVA.COM  
 INFO@LACAVA.COM