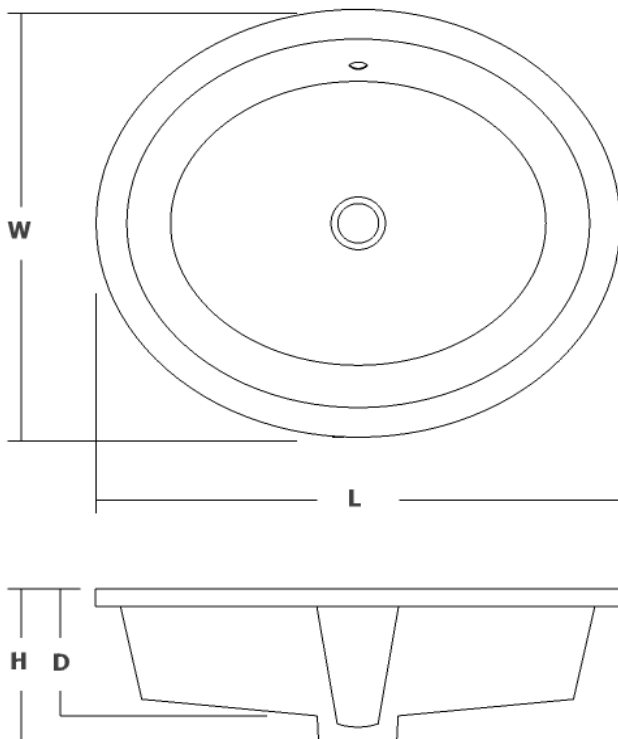


EMILY



SPECIFICATIONS:

EMILY SERIES

Undermount Application: With Fully Glazed Rim Surface

Emily: OD: 19.25" L x 16" W x 5.75" H x 4" D

ID: 17" L x 14" W

Drain: 1.5"

ASME A112.19.1/CSA B45.2 Compliant

