

WOOD MEDICINE CABINET

RONBOW

MODEL: 617124-COLOR

SPECIFICATION SHEET

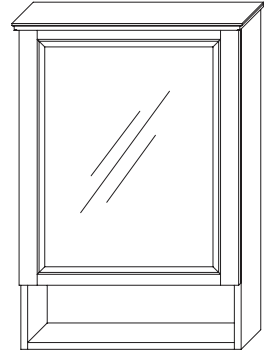
ACCESSORIES

- Solid wood frame
- Soft Close door
- Matching Finish throughout the interior
- Two mirrors on front and back side of door

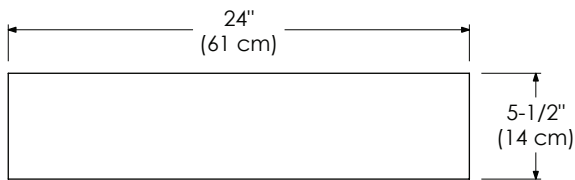
All Ronbow cabinets are made of solid hardwood or hardwood plywood and meet strict CARB Standards. No particle Board or Micro-Density Fiberboard (MDF) are used.

Available finishes:

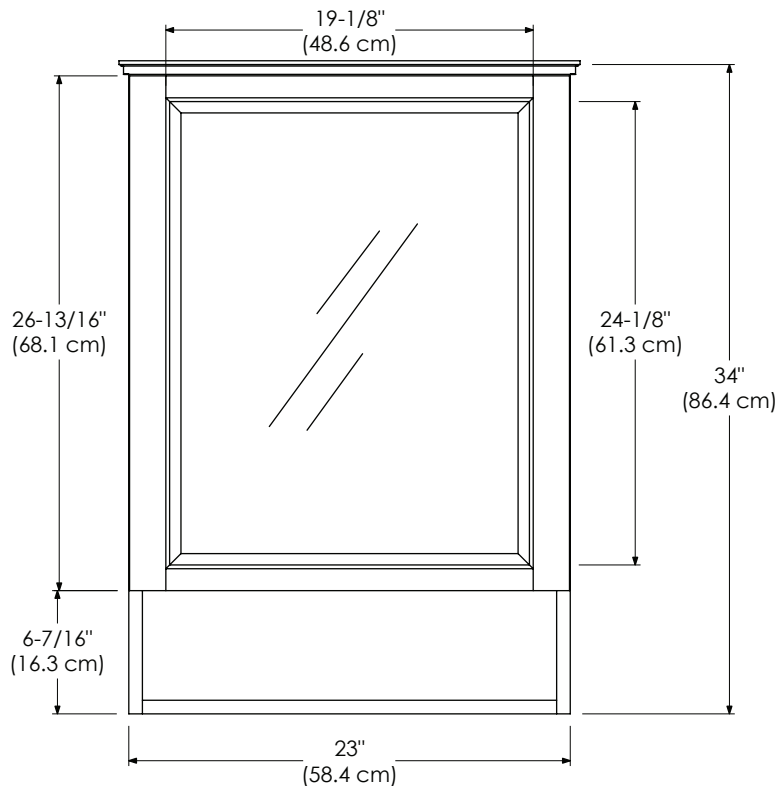
- AMERICAN WALNUT E56
- OCEAN GRAY F21
- VINTAGE HONEY R01
- VINTAGE CAFÉ R12



TOP VIEW



FRONT VIEW



SIDE VIEW

