

4

3

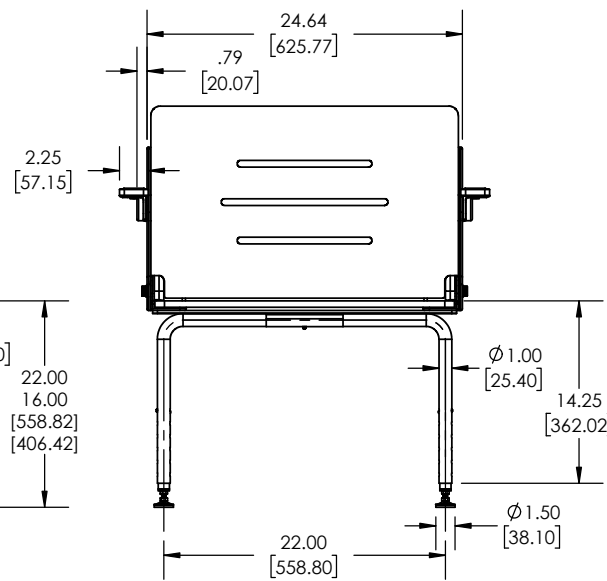
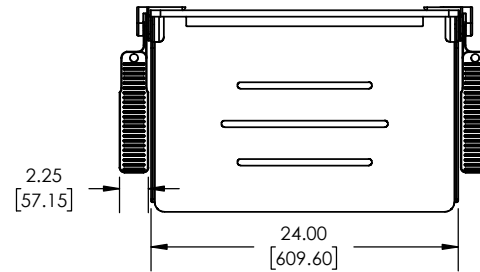
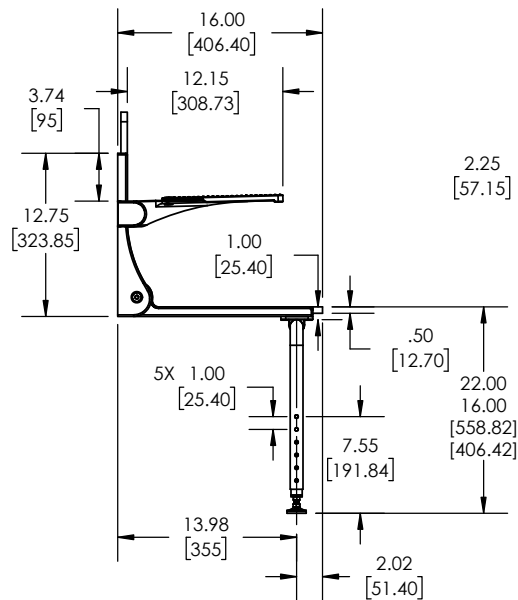
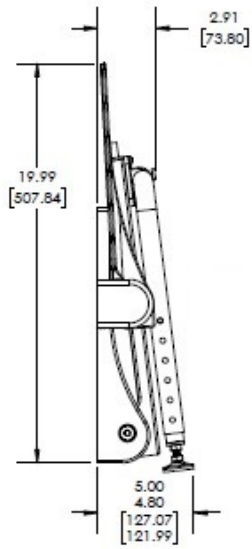
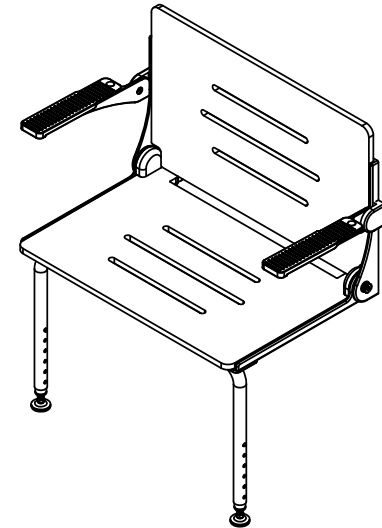
2

1

**NOTES:**

- 1. DIMENSIONS IN BRACKETS [ ] ARE MILLIMETERS, FOR REFERENCE ONLY.
- 2. GRAIN DIRECTION PER ASME Y14.36M-1996 FOR SS SATIN FINISHES ONLY.

**CUSTOMER SPECIFICATION DWG**



**-HARDWARE PACKAGE INCLUDES:**  
 1. (8) #14 X 2-1/2" PHILLIPS FLAT HEAD SMS

**PROPRIETARY AND CONFIDENTIAL**  
 THIS DRAWING AND THE INFORMATION CONTAINED HEREIN IS PROPERTY TO SEACHROME COR. AND SHALL NOT BE REPRODUCED, COPIED OR DISCLOSED IN WHOLE, OR PART, OR USED OF MANUFACTURING OR FOR ANY OTHER PURPOSE WITHOUT THE WRITTEN PERMISSION OF SEACHROME CORPORATION.

INTERPRET GEOMETRIC TOLERANCING PER: ASME Y14.5-2009  
 UNLESS OTHERWISE SPECIFIED: DIMENSIONS ARE IN INCHES [MM]  
 TOLERANCES: DECIMALS FRACTIONAL ±1/64 .X ±0.1 ANGLES ± 1° .XX ±0.02



TITLE: Silhouette Comfort Plus Tub/Shower Seat

DRAWN T. AYALA	05/20/20	DWG. NO. SHAFB-185155-PWS-S	REV A
ENG APPR. J. AMOZOC	05/20/20	SIZE A DO NOT SCALE DRAWING	SCALE: 1:20 SHEET 1

4

3

2

1