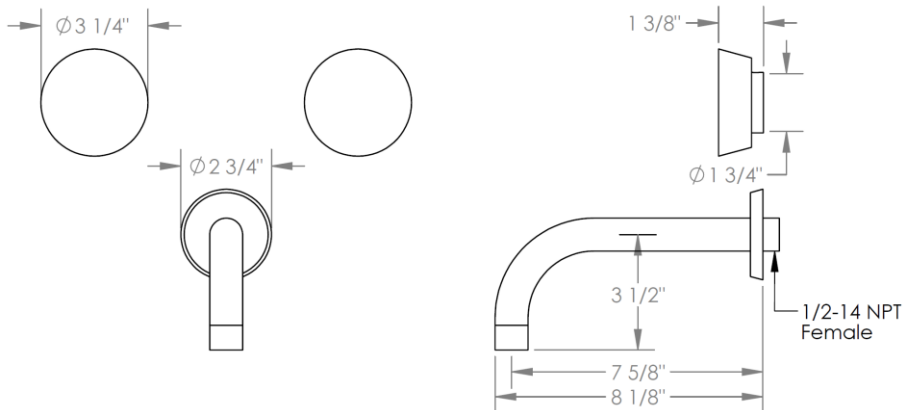


**36-5-**

**Wall Mounted 3 Hole Bath Set**

Requires SS-506 or SS-THV2.2-26C concealed rough

Note: Some building codes require remote pressure balance valves for anti-scald



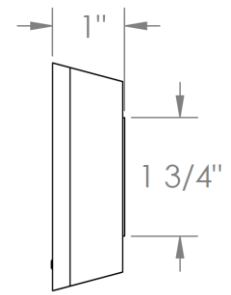
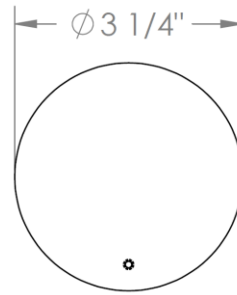
Meets the applicable requirements of ASME A112.18.1-2005/CSA B125.1-05, entitled "Plumbing Supply Fittings"

**WATERMARK DESIGNS**

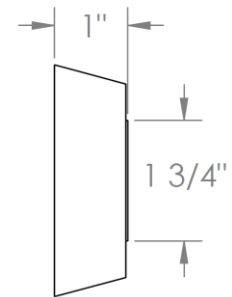
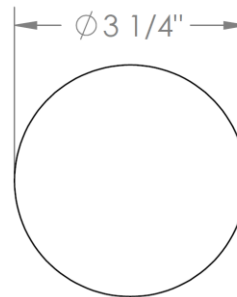
**4/17/2019**

# HANDLE TRIM OPTIONS

## BL1 – METAL



## CM – STONE



## WM - ROCK

