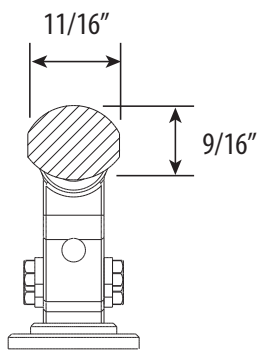
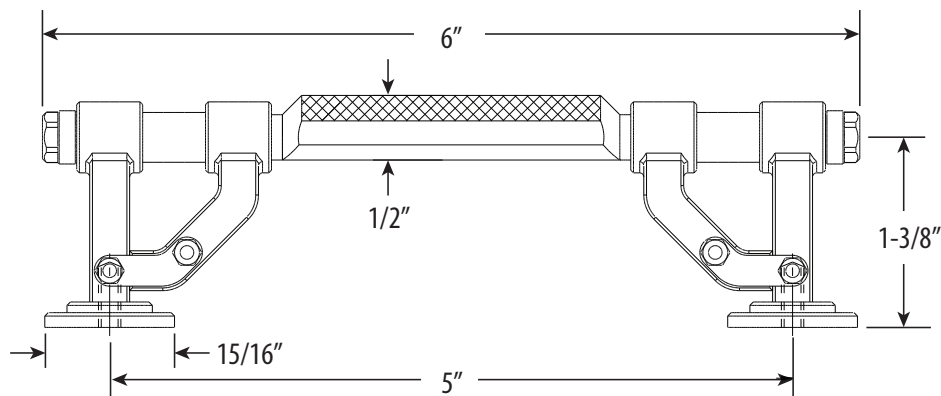


INDUSTRIAL 5" HANDLE PULL

HIP-0500

• FITS MATERIALS FROM 1/4" TO 1-1/2" THICK



END VIEW

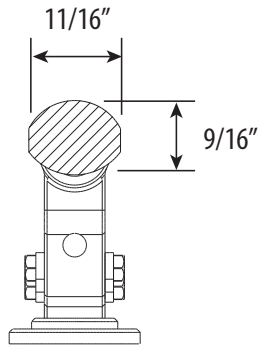
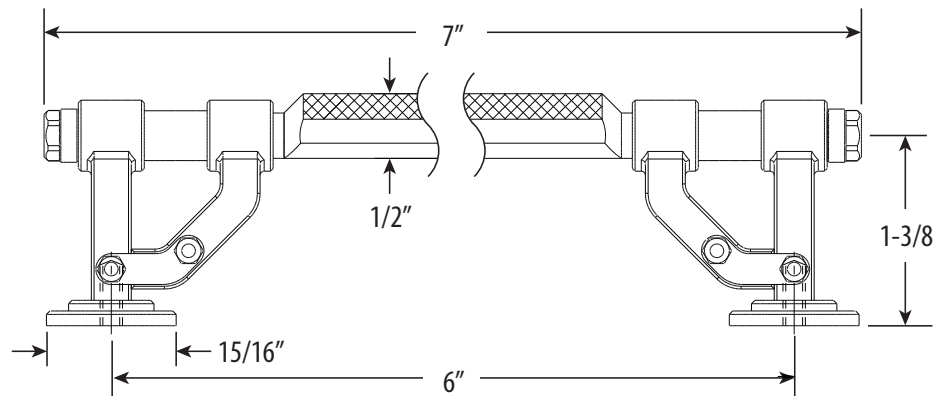


DIMENSIONS MAY VARY AND ARE SUBJECT TO CHANGE. NO RESPONSIBILITY IS ASSUMED FOR USE OF SUPERCEDED OR VOIDED DATA

INDUSTRIAL 6" HANDLE PULL

HIP-0600

• FITS MATERIALS FROM 1/4" TO 1-1/2" THICK



END VIEW

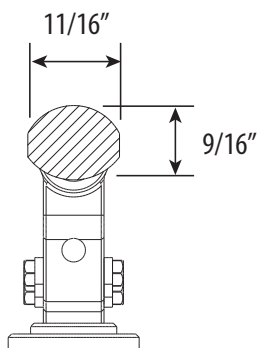
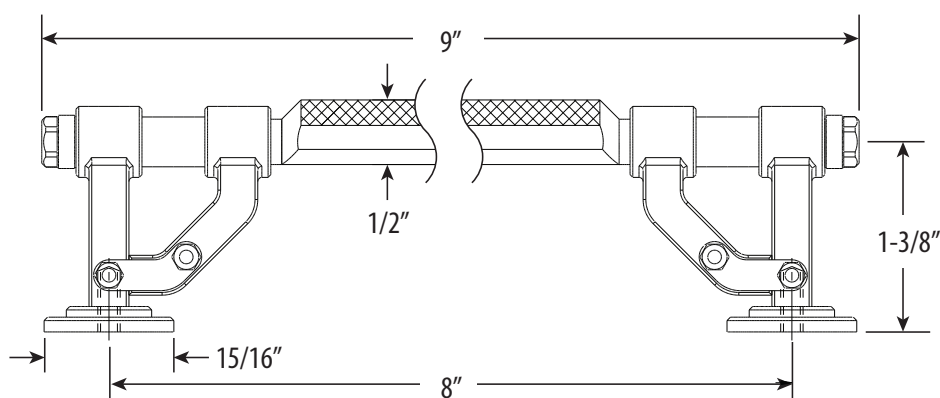


DIMENSIONS MAY VARY AND ARE SUBJECT TO CHANGE. NO RESPONSIBILITY IS ASSUMED FOR USE OF SUPERCEDED OR VOIDED DATA

INDUSTRIAL 8" HANDLE PULL

HIP-0800

• FITS MATERIALS FROM 1/4" TO 1-1/2" THICK



END VIEW



DIMENSIONS MAY VARY AND ARE SUBJECT TO CHANGE. NO RESPONSIBILITY IS ASSUMED FOR USE OF SUPERCEDED OR VOIDED DATA