



On Sale

BC 08-03

CUBE COLLECTION

Design Wetstyle Design Lab

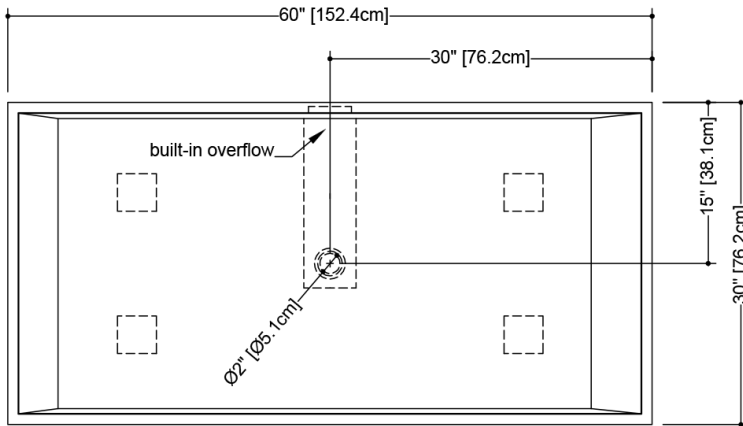


FEATURES

- Handcrafted in Montreal, Canada
- Wood plinth offered in various Oak, Walnut, Premium or matte lacquer finishes
- Integrated overflow
- Soft toe touch drain
- Plug & Bathe drain connection for quick install
- Wood bridge in Wenge shade included

TECHNICAL DETAILS

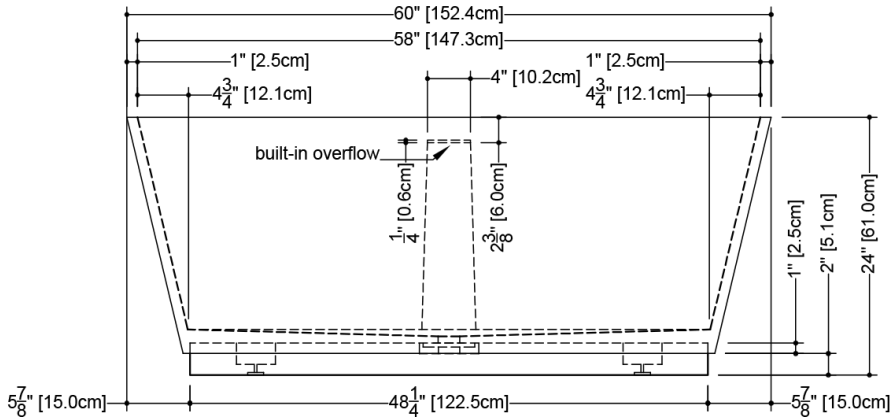
- **Width:** 30"
- **Length:** 60"
- **Height:** 24"
- **Weight:** 212 lbs / 96 kg



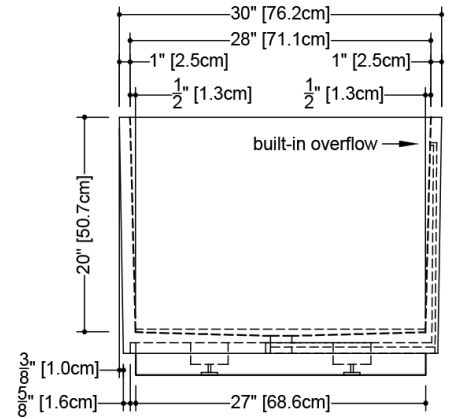
plan view

WETSTYLE Plug & Bathe™ overflow and drain connection system includes:

- Soft-touch pop-up drain, for built-in overflow. Fits both 1-1/2" ABS drain waste and 1-1/2" tubular brass
- 1-1/2" ABS Direct vertical drain waste fitting (copper/brass option also available)
- 1-1/2" ABS 90° Elbow drain waste fitting (copper/brass option also available)



front view



side view

BC 08-3

WETSTYLE cannot be held responsible for any technical errors and reserves the right to make revisions without notice. Approximate measurement. The manufacturer accepts 1/4" (6.35mm) variance.

AVAILABLE CONFIGURATIONS



Freestanding

OPTIONS

Model

- BC0803 - Freestanding

Drain Overflow Trim Finish

- Brushed Nickel Drain - No Trim Overflow (#BNNT)
- Brushed Nickel Drain and Overflow (#BN)
- Matte Black Drain - No Trim Overflow (#MBNT)
- Matte Black Drain and Overflow (#MB)
- Polished Chrome Drain - No Trim Overflow (#PCNT)
- Polished Chrome Drain and Overflow (#PC)
- Satin Brass Drain - No Trim Overflow (#SBNT)
- Satin Brass Drain and Overflow (#SB)

Wood Finish

- Matte Lacquer Black (#29)
- Matte Lacquer Stone Harbour Grey (#28)
- Matte Lacquer White (#21)
- Oak Black (#31)
- Oak Coffee Bean (#37)
- Oak Natural (#1)
- Oak Smoked (#38)
- Oak Stone Harbour Grey (#36)
- Oak Wenge (#2)
- Oak White (#5)
- Premium Mozambique (#82)
- Premium Torrified Eucalyptus (#81)
- Walnut Chocolate (#16)
- Walnut Natural (#11)
- Walnut Natural No Calico (#12)

WETMAR BiO Finish

- White Matte (#MA)
- White True High Gloss (#GA)

Plumbing Connection

- Copper/Brass Connection - local code dependant (#COP)
- Standard ABS Connection

CODES/STANDARDS APPLICABLES

IAPMO-ANSI Z124.1
IAPMO-ANSI Z124.3
CSA B 45.0
CSA B 45.4
Mass Board Approved

FAUCET AREA RECOMMENDED

Wall-mounted or floor-mounted