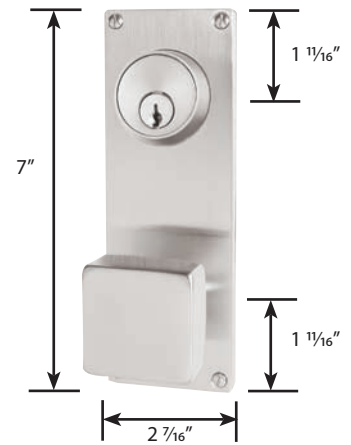
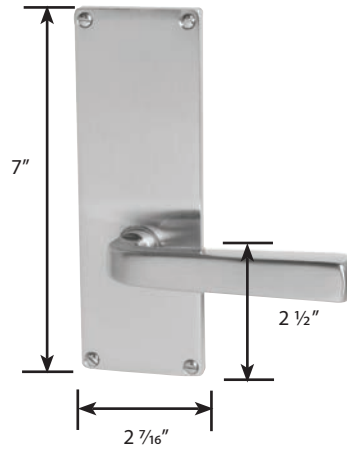


Modern Plates are $\frac{3}{8}$ " Thick

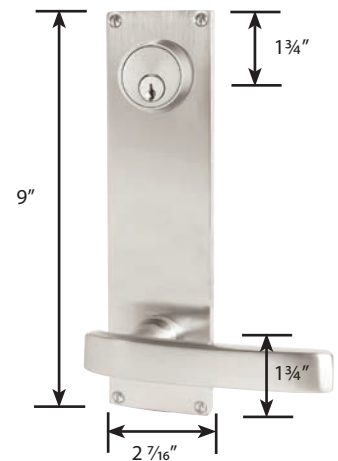
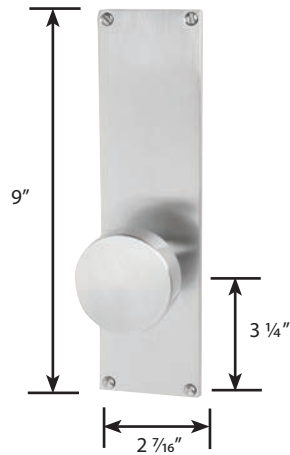
Non-Keyed
 Passage (8111)
 Privacy (8211)
 Dummy (8011)

Keyed
3 $\frac{5}{8}$ " C-to-C
 Single Cylinder (8112)
 Double Cylinder (8212)
 Dummy (8012)



Non-Keyed
 Passage (8113)
 Privacy (8213)
 Dummy (8013)

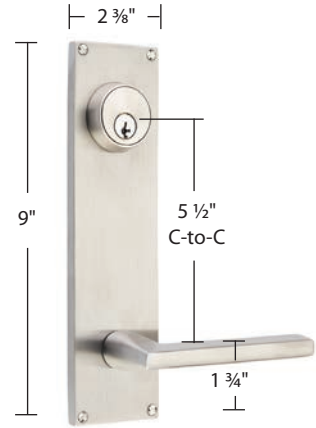
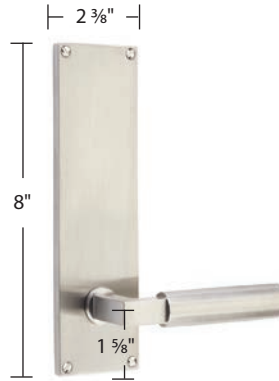
Keyed
5 $\frac{1}{2}$ " C-to-C
 Single Cylinder (8114)
 Double Cylinder (8214)
 Dummy (8014)



Stainless Steel Plates are $\frac{3}{8}$ " Thick

Non-Keyed
Passage (S801)
Privacy (S802)
Dummy (S800)

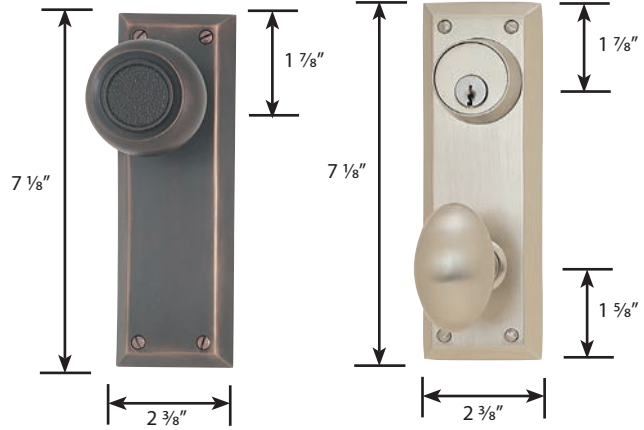
Keyed
5 1/2" C-to-C
Single Cylinder (S811)
Double Cylinder (S812)
Dummy (S810)



Quincy Plates are $\frac{3}{8}$ " Thick

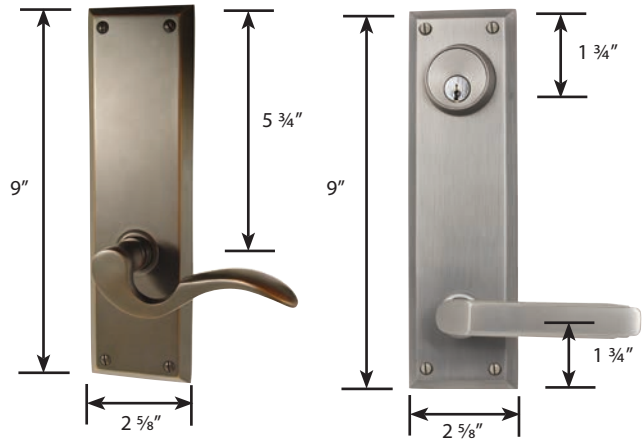
Non-Keyed
 Passage (8104)
 Privacy (8204)
 Dummy (8054)

Keyed
3 $\frac{5}{8}$ " C-to-C
 Single Cylinder (8080)
 Double Cylinder (8081)
 Dummy (8085)



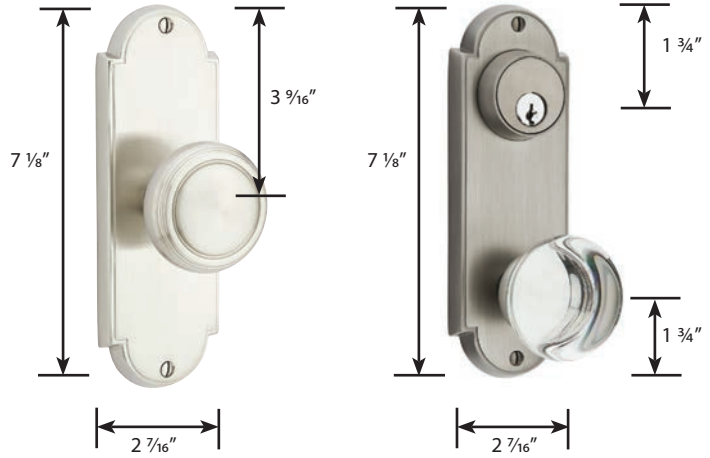
Non-Keyed
 Passage (8704)
 Privacy (8804)
 Dummy (8854)

Keyed
5 $\frac{1}{2}$ " C-to-C
 Single Cylinder (8980)
 Double Cylinder (8981)
 Dummy (8985)

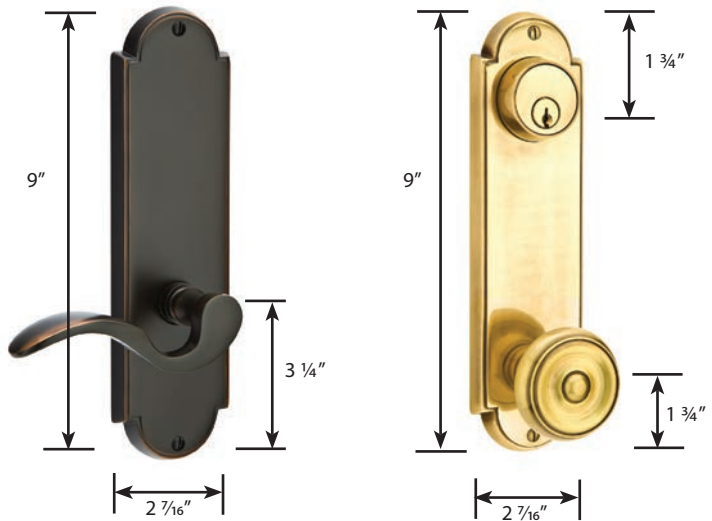


Delaware Plates are $\frac{3}{8}$ " Thick

<p>Non-Keyed Passage (8016) Privacy (8026) Dummy (8006)</p>	<p>Keyed 3 5/8" C-to-C Single Cylinder (8066) Double Cylinder (8166) Dummy (8061)</p>
---	---

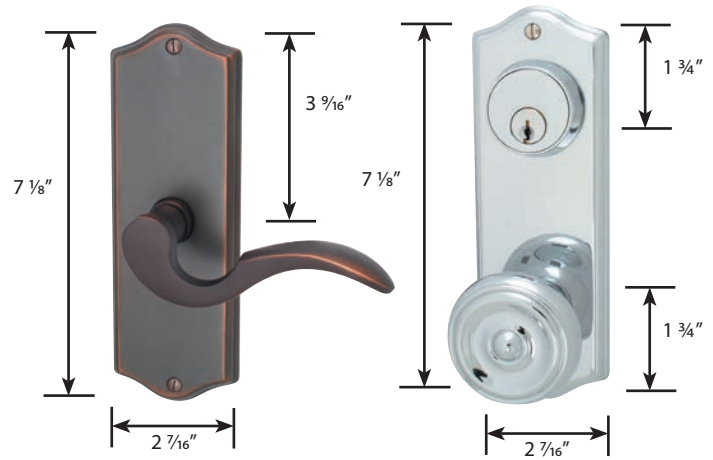


<p>Non-Keyed Passage (8716) Privacy (8816) Dummy (8898)</p>	<p>Keyed 5 1/2" C-to-C Single Cylinder (8996) Double Cylinder (8997) Dummy (8856)</p>
---	---

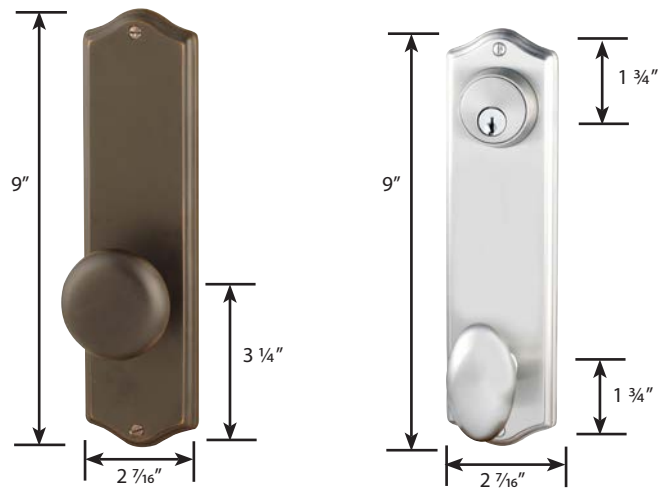


Colonial Plates are $\frac{3}{8}$ " Thick

<p>Non-Keyed Passage (8010) Privacy (8020) Dummy (8001)</p>	<p>Keyed 3 $\frac{5}{8}$" C-to-C Single Cylinder (8060) Double Cylinder (8160) Dummy (8065)</p>
---	--



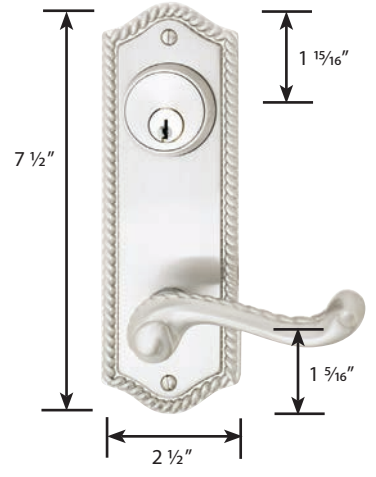
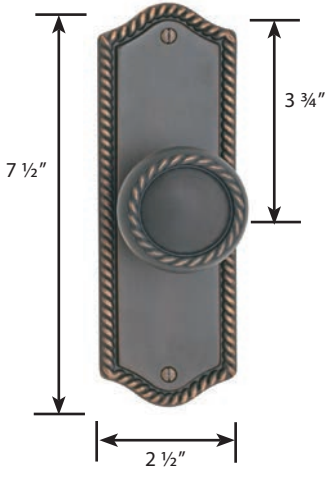
<p>Non-Keyed Passage (8711) Privacy (8811) Dummy (8851)</p>	<p>Keyed 5 $\frac{1}{2}$" C-to-C Single Cylinder (8990) Double Cylinder (8991) Dummy (8995)</p>
---	--



Rope Plates are $\frac{3}{8}$ " Thick

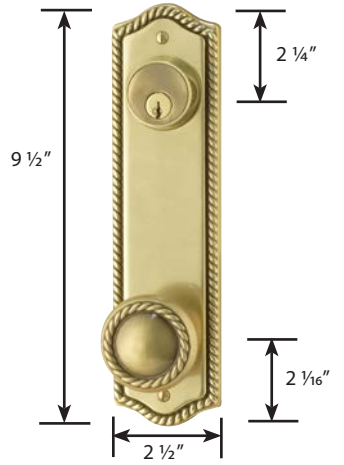
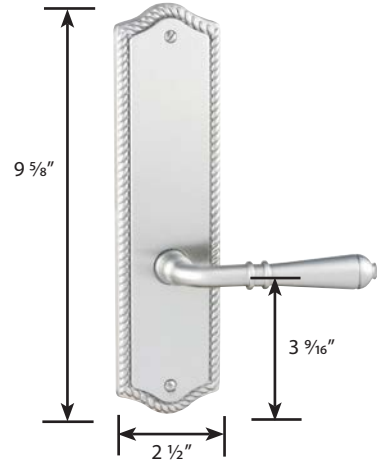
Non-Keyed
 Passage (7109)
 Privacy (7209)
 Dummy (7059)

Keyed
3 $\frac{5}{8}$ " C-to-C
 Single Cylinder (7090)
 Double Cylinder (7091)
 Dummy (7095)



Non-Keyed
 Passage (7710)
 Privacy (7810)
 Dummy (7850)

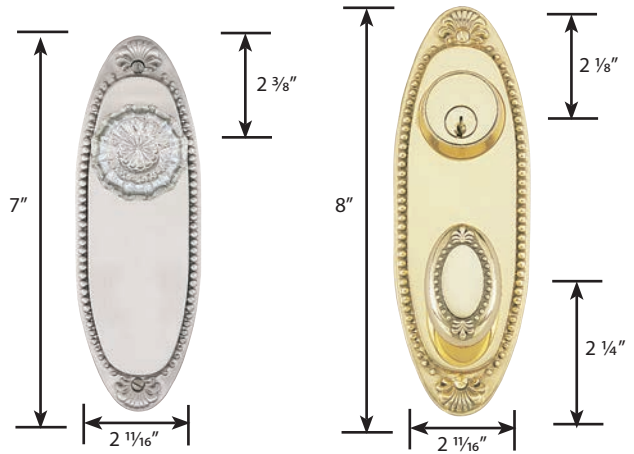
Keyed
5 $\frac{1}{2}$ " C-to-C
 Single Cylinder (7990)
 Double Cylinder (7991)
 Dummy (7995)



Oval Beaded Plates are $\frac{3}{8}$ " Thick

Non-Keyed
 Passage (8105)
 Privacy (8205)
 Dummy (8055)

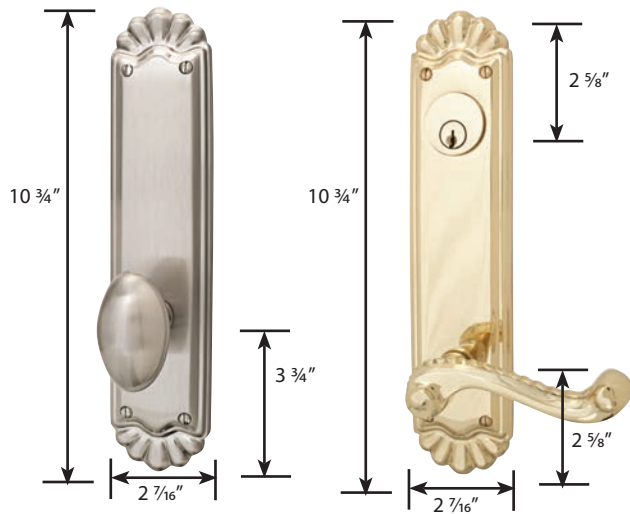
Keyed
3 $\frac{5}{8}$ " C-to-C
 Single Cylinder (6010)
 Double Cylinder (6011)
 Dummy (6015)



Trenton Plates are $\frac{1}{2}$ " Thick

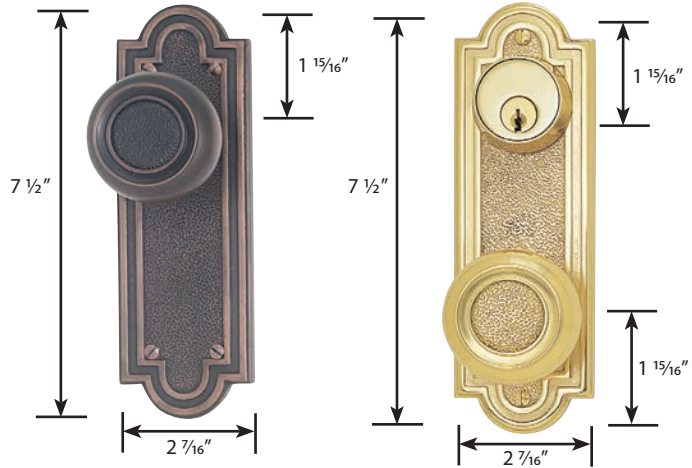
Non-Keyed
 Passage (8109)
 Privacy (8209)
 Dummy (8059)

Keyed
5 $\frac{1}{2}$ " C-to-C
 Single Cylinder (6030)
 Double Cylinder (6031)
 Dummy (6035)



Belmont Plates are $\frac{3}{8}$ " Thick

<p>Non-Keyed Passage (8102) Privacy (8202) Dummy (8052)</p>	<p>Keyed 3 $\frac{5}{8}$" C-to-C Single Cylinder (8070) Double Cylinder (8071) Dummy (8075)</p>
---	--



Victoria Plates are $\frac{3}{8}$ " Thick

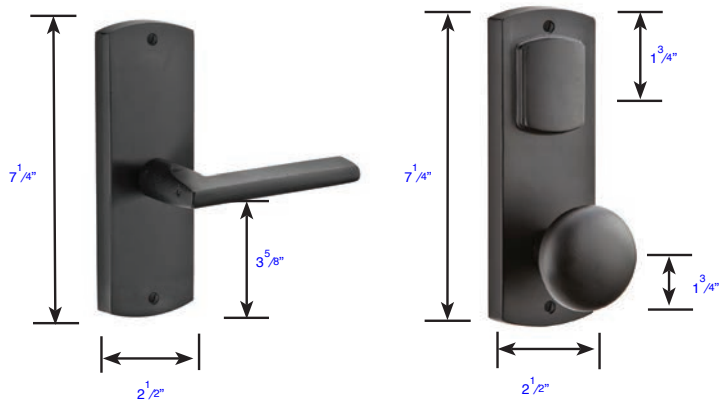
<p>Non-Keyed Passage (8103) Privacy (8203) Dummy (8053)</p>	<p>Keyed 3 $\frac{5}{8}$" C-to-C Single Cylinder (8090) Double Cylinder (8091) Dummy (8095)</p>
---	--



Missoula Plates are 1/2" Thick

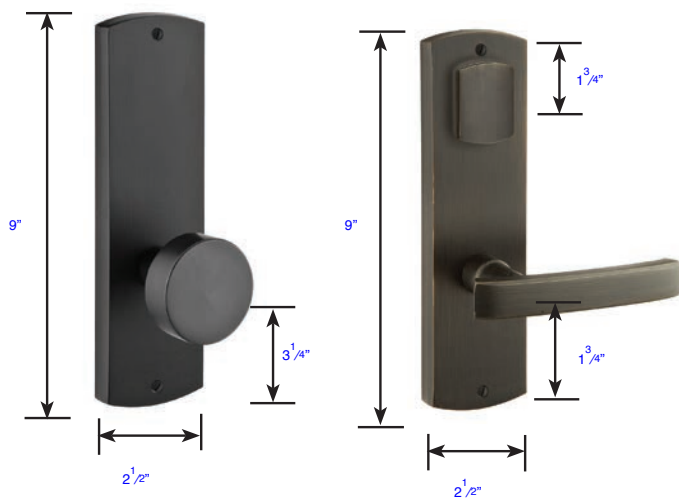
Non-Keyed
 Passage (71023)
 Privacy (72023)
 Dummy (70063)

Keyed
3 5/8" C-to-C
 Single Cylinder (7370)
 Double Cylinder (7371)
 Dummy (7375)



Non-Keyed
 Passage (7522)
 Privacy (7622)
 Dummy (7562)

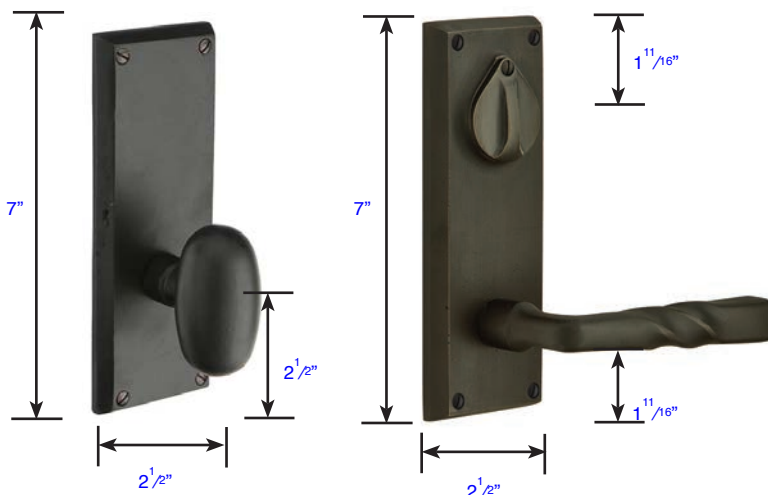
Keyed
5 1/2" C-to-C
 Single Cylinder (7570)
 Double Cylinder (7571)
 Dummy (7575)



Rectangular Plates are 1/2" Thick

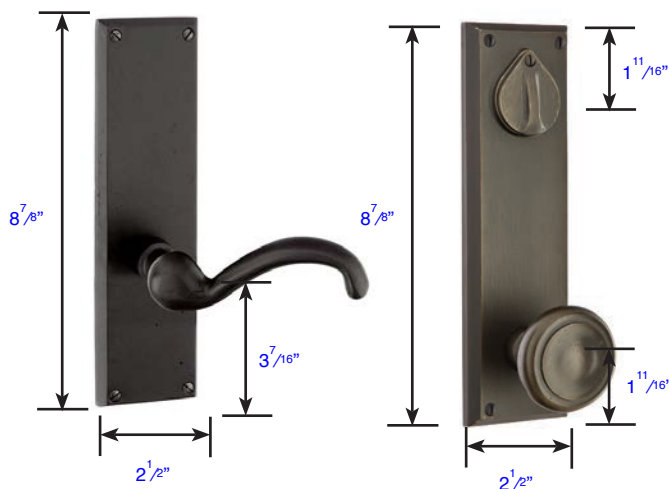
Non-Keyed
 Passage (71013)
 Privacy (72013)
 Dummy (70053)

Keyed
3 5/8" C-to-C
 Single Cylinder (7360)
 Double Cylinder (7361)
 Dummy (7365)



Non-Keyed
 Passage (7512)
 Privacy (7612)
 Dummy (7552)

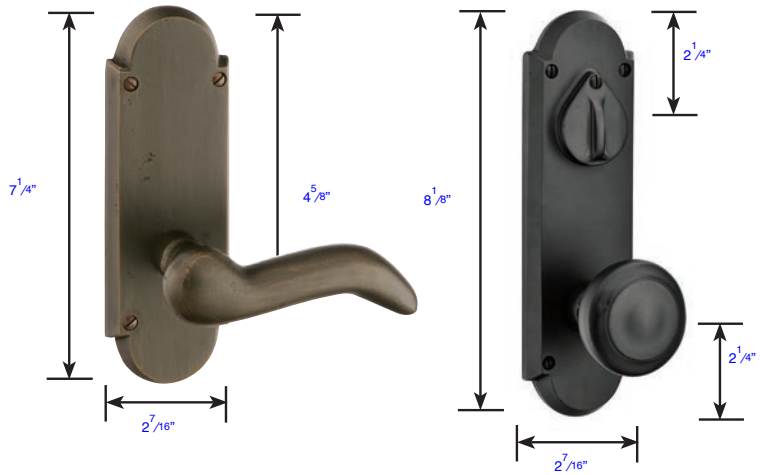
Keyed
5 1/2" C-to-C
 Single Cylinder (7560)
 Double Cylinder (7561)
 Dummy (7565)



Sandcast Bronze #5 Plates are 1/2" Thick

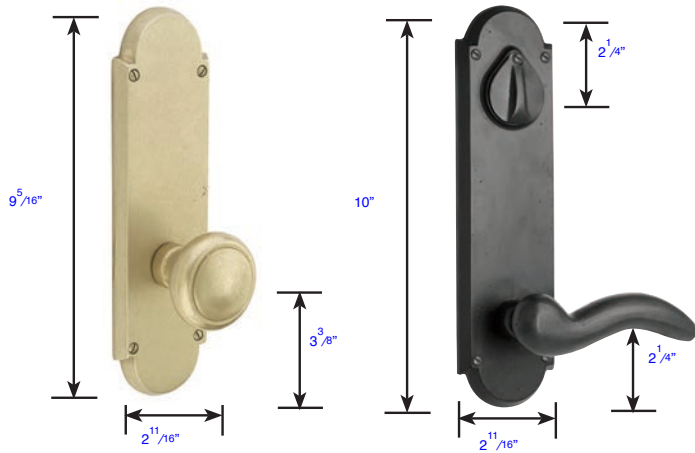
Non-Keyed
 Passage (7107)
 Privacy (7207)
 Dummy (7057)

Keyed
 3 5/8" C-to-C
 Single Cylinder (7070)
 Double Cylinder (7071)
 Dummy (7075)



Non-Keyed
 Passage (7707)
 Privacy (7807)
 Dummy (7757)

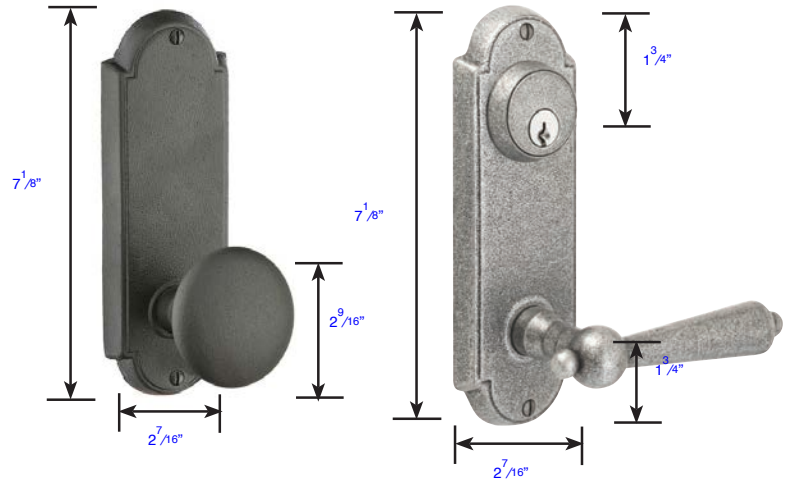
Keyed
 5 1/2" C-to-C
 Single Cylinder (7670)
 Double Cylinder (7671)
 Dummy (7675)



Wrought Steel #5 *Plates are 1/2" Thick*

Non-Keyed
 Passage (7105)
 Privacy (7205)
 Dummy (7055)

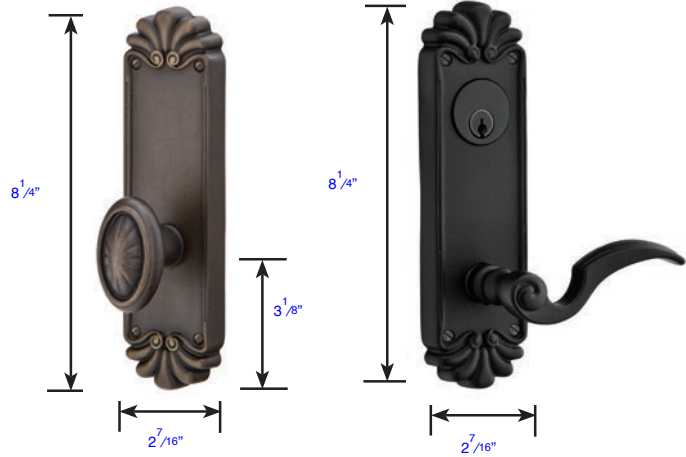
Keyed
3 5/8" C-to-C
 Single Cylinder (7010)
 Double Cylinder (7011)
 Dummy (7015)



Tuscany #16 Plates are $\frac{3}{8}$ " Thick

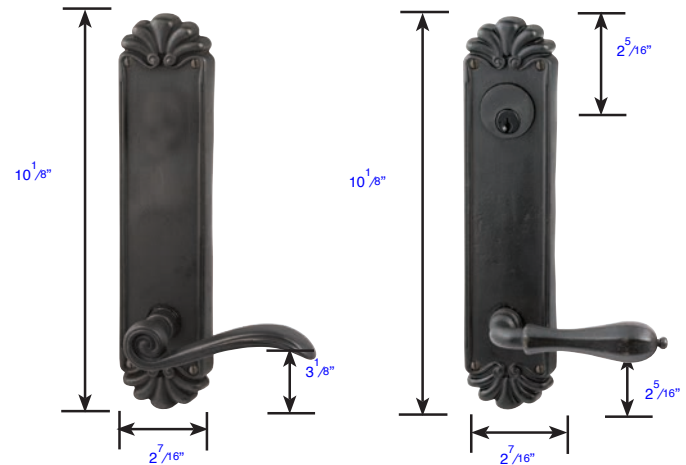
Non-Keyed
 Passage (6102)
 Privacy (6202)
 Dummy (6052)

Keyed
3 $\frac{5}{8}$ " C-to-C
 Single Cylinder (6020)
 Double Cylinder (6021)
 Dummy (6025)



Non-Keyed
 Passage (6702)
 Privacy (6802)
 Dummy (6752)

Keyed
5 $\frac{1}{2}$ " C-to-C
 Single Cylinder (6620)
 Double Cylinder (6621)
 Dummy (6625)



Door Thickness Specifications - Sideplate Locksets

Brass Non-Keyed Plates (Passage/Privacy)

Delaware (8016/8026 & 8716/8816), Colonial (8010/8020 & 8711/8811), Belmont (8102/8202), Quincy (8104/8204 & 8704/8804), Victoria (8103/8203), Oval Beaded (8105/8205), Rope (7109/7209 & 7710/7810), Modern (8111/8112 & 8113/8213)

- Standard Door Thickness: 1¼" - 2"

Standard Components:

- Privacy Pin (for privacy sets)
- Inside Passage Half Spindle
- 1" Wood Screws
- Threaded Tubes & Machine Screws
supplied upon request for Hollow-Core Doors
- Full-Lip Strike Plate

- **Extended** Door Thickness: 2" - 3"

Extended Components:

- Privacy Pin w/ Extensions (for privacy sets)
- Long Inside Passage Half Spindle
- 1" Wood Screws
- Threaded Tubes & Machine Screws
supplied upon request for Hollow-Core Doors
- Extended Full-Lip Strike Plate

Brass Keyed Plates, Single Cylinder

Delaware (8066/8996), Colonial (8060/8990), Belmont (8070), Quincy (8080/8980), Victoria (8090), Oval Beaded (6010), Rope (7090/7990), Modern (8112/8114)

- Standard Door Thickness: 1¼" - 1¾"

Standard Components:

- Single Cylinder Tailpiece
- Inside Passage Half Spindle
- 1" Wood Screws
- Threaded Tubes & Machine Screws
supplied upon request for Hollow-Core Doors
- 2¼" Deadbolt Mounting Screws
- Full-Lip Strike Plate
- Deadbolt Strike Plate

- **Extended** Door Thickness: 1¾" - 2¼"

Extended Components:

- Long Single Cylinder Tailpiece
- Long Inside Passage Half Spindle
- 1" Wood Screws
- Threaded Tubes & Machine Screws
supplied upon request for Hollow-Core Doors
- 2½" Deadbolt Mounting Screws
- Extended Full-Lip Strike Plate
- Deadbolt Strike Plate

- **Extended** Door Thickness: 2¼" - 2¾"

Extended Components:

- Extra Long Single Cylinder Tailpiece
- Extra Long Inside Passage Half Spindle
- 1" Wood Screws
- Threaded Tubes & Machine Screws
supplied upon request for Hollow-Core Doors
- 3" & 3½" Deadbolt Mounting Screws
- Extended Full-Lip Strike Plate
- Deadbolt Strike Plate

Brass Keyed Plates, Double Cylinder

Delaware (8166/8997), Colonial (8160/8991), Belmont (8071), Quincy (8081/8981), Victoria (8091), Oval Beaded (6011), Rope (7091/7991), Modern (8212/8214)

- Standard Door Thickness: 1⅝" - 1¾"

Standard Components:

- Double Cylinder Tailpiece
- Inside Passage Half Spindle
- 1" Wood Screws
- Threaded Tubes & Machine Screws
supplied upon request for Hollow-Core Doors
- 3" Deadbolt Mounting Screws
- Full-Lip Strike Plate
- Deadbolt Strike Plate

- **Extended** Door Thickness: 1¾" - 2½"

Extended Components:

- Long Double Cylinder Tailpiece
- Long Inside Passage Half Spindle
- 1" Wood Screws
- Threaded Tubes & Machine Screws
supplied upon request for Hollow-Core Doors
- 3½" Deadbolt Mounting Screws
- Extended Full-Lip Strike Plate
- Deadbolt Strike Plate

Door Thickness Specifications - Sideplate Locksets

Trenton Keyed Plates, Single Cylinder (6030)

- | | |
|--|---|
| <ul style="list-style-type: none"> • Standard Door Thickness: 1$\frac{5}{8}$" - 2$\frac{1}{8}$" Standard Components: • Single Cylinder Tailpiece • Inside Passage Half Spindle • 1" Wood Screws • Threaded Tubes & Machine Screws
<i>supplied upon request for Hollow-Core Doors</i> • 2$\frac{1}{4}$" Deadbolt Mounting Screws • Full-Lip Strike Plate • Deadbolt Strike Plate | <ul style="list-style-type: none"> • Extended Door Thickness: 1$\frac{3}{4}$" - 2$\frac{3}{4}$" Extended Components: • Long Single Cylinder Tailpiece • Long Inside Passage Half Spindle • 1" Wood Screws • Threaded Tubes & Machine Screws
<i>supplied upon request for Hollow-Core Doors</i> • 2$\frac{1}{2}$" & 3" Deadbolt Mounting Screws • Extended Full-Lip Strike Plate • Deadbolt Strike Plate |
|--|---|

Trenton (Brass), Keyed Plates, Double Cylinder (6031)

- | | |
|--|--|
| <ul style="list-style-type: none"> • Standard Door Thickness: 1$\frac{5}{8}$" - 2" Standard Components: • Double Cylinder Tailpiece • Inside Passage Half Spindle • 1" Wood Screws • Threaded Tubes & Machine Screws
<i>supplied upon request for Hollow-Core Doors</i> • 2$\frac{1}{2}$" Deadbolt Mounting Screws • Full-Lip Strike Plate • Deadbolt Strike Plate | <ul style="list-style-type: none"> • Extended Door Thickness: 2" - 2$\frac{5}{8}$" Extended Components: • Long Double Cylinder Tailpiece • Long Inside Passage Half Spindle • 1" Wood Screws • Threaded Tubes & Machine Screws
<i>supplied upon request for Hollow-Core Doors</i> • 3" Deadbolt Mounting Screws • Extended Full-Lip Strike Plate • Deadbolt Strike Plate |
|--|--|

* Part # DB4-COLLAR32 Available for 1 $\frac{3}{4}$ " Thick Doors

Cast Bronze Non-Keyed Plates (Passage/Privacy)

Sandcast Bronze #5 (7107/7207 & 7707/7807), Rectangular (71013/72013 & 7512/7612), Tuscany #16 (6102/6202 & 6702/6802)
Missoula (71023/72023, 7522/7622)

- | | |
|---|--|
| <ul style="list-style-type: none"> • Standard Door Thickness: 1$\frac{1}{4}$" - 2" Standard Components: • Privacy Pin (for privacy sets) • Inside Passage Half Spindle • 1" Wood Screws • Threaded Tubes & Machine Screws
<i>supplied upon request for Hollow-Core Doors</i> • Full-Lip Strike Plate | <ul style="list-style-type: none"> • Extended Door Thickness: 2" - 3" Extended Components: • Privacy Pin w/ Extensions (for privacy sets) • Long Inside Passage Half Spindle • 1" Wood Screws • Threaded Tubes & Machine Screws
<i>supplied upon request for Hollow-Core Doors</i> • Extended Full-Lip Strike Plate |
|---|--|

Cast Bronze Keyed Plates, Single Cylinder

Sandcast Bronze #5 (7070/7670), Rectangular (7360/7560), Tuscany #16 (6020/6620), Missoula (7370/7570)

- | | | |
|--|--|---|
| <ul style="list-style-type: none"> • Standard Door Thickness: 1$\frac{5}{8}$" - 2" Standard Components: • Single Cylinder Tailpiece • Inside Passage Half Spindle • 1" Wood Screws • Threaded Tubes & Machine Screws
<i>supplied upon request for Hollow-Core Doors</i> • 2$\frac{1}{4}$" Deadbolt Mounting Screws • Full-Lip Strike Plate • Deadbolt Strike Plate | <ul style="list-style-type: none"> • Extended Door Thickness: 2" - 2$\frac{3}{8}$" Extended Components: • Long Single Cylinder Tailpiece • Long Inside Passage Half Spindle • 1" Wood Screws • Threaded Tubes & Machine Screws
<i>supplied upon request for Hollow-Core Doors</i> • 2$\frac{1}{2}$" Deadbolt Mounting Screws • Extended Full-Lip Strike Plate • Deadbolt Strike Plate | <ul style="list-style-type: none"> • Extended Door Thickness: 2$\frac{3}{8}$" - 3" Extended Components: • Extra Long Single Cylinder Tailpiece • Extra Long Inside Passage Half Spindle • 1" Wood Screws • Threaded Tubes & Machine Screws
<i>supplied upon request for Hollow-Core Doors</i> • 3" & 3$\frac{1}{2}$" Deadbolt Mounting Screws • Extended Full-Lip Strike Plate • Deadbolt Strike Plate |
|--|--|---|

Door Thickness Specifications - Sideplate Locksets

Cast Bronze Keyed Plates, Double Cylinder

Sandcast Bronze #5 (7071/7671), Rectangular (7361/7561), Tuscany #16 (6021/6621), Missoula (7371/7571)

<ul style="list-style-type: none">• Standard Door Thickness: 1½" - 2" <p>Standard Components:</p> <ul style="list-style-type: none">• Single Cylinder Tailpiece• Inside Passage Half Spindle• 1" Wood Screws• Threaded Tubes & Machine Screws <i>supplied upon request for Hollow-Core Doors</i>• 2½" Deadbolt Mounting Screws• Full-Lip Strike Plate• Deadbolt Strike Plate	<ul style="list-style-type: none">• Extended Door Thickness: 2" - 2½" <p>Extended Components:</p> <ul style="list-style-type: none">• Long Double Cylinder Tailpiece• Long Inside Passage Half Spindle• 1" Wood Screws• Threaded Tubes & Machine Screws <i>supplied upon request for Hollow-Core Doors</i>• 3" Deadbolt Mounting Screws• Extended Full-Lip Strike Plate• Deadbolt Strike Plate	<ul style="list-style-type: none">• Extended Door Thickness: 2½" - 2¾" <p>Extended Components:</p> <ul style="list-style-type: none">• Long Double Cylinder Tailpiece• Long Inside Passage Half Spindle• 1" Wood Screws• Threaded Tubes & Machine Screws <i>supplied upon request for Hollow-Core Doors</i>• 3½" Deadbolt Mounting Screws• Extended Full-Lip Strike Plate• Deadbolt Strike Plate
---	--	--

Wrought Steel #5 Keyed Plates, Double Cylinder (7011)

<ul style="list-style-type: none">• Standard Door Thickness: 1⅝" - 1¾" <p>Standard Components:</p> <ul style="list-style-type: none">• Double Cylinder Tailpiece• Inside Passage Half Spindle• 1" Wood Screws• Threaded Tubes & Machine Screws <i>supplied upon request for Hollow-Core Doors</i>• 3" Deadbolt Mounting Screws• Full-Lip Strike Plate• Deadbolt Strike Plate	<ul style="list-style-type: none">• Extended Door Thickness: 1¾" - 2⅜" <p>Extended Components:</p> <ul style="list-style-type: none">• Long Double Cylinder Tailpiece• Long Inside Passage Half Spindle• 1" Wood Screws <i>supplied upon request for Hollow-Core Doors</i>• 3½" Deadbolt Mounting Screws• Extended Full-Lip Strike Plate• Deadbolt Strike Plate
---	--

Wrought Steel Non-Keyed Plate (Passage/Privacy) (7105/7205)

<ul style="list-style-type: none">• Standard Door Thickness: 1¼" - 1¾" <p>Standard Components:</p> <ul style="list-style-type: none">• Privacy Pin (for privacy sets)• Inside Passage Half Spindle• 1" Wood Screws• Threaded Tubes & Machine Screws <i>supplied upon request for Hollow-Core Doors</i>• Full-Lip Strike Plate	<ul style="list-style-type: none">• Extended Door Thickness: 1¾" - 2⅜" <p>Extended Components:</p> <ul style="list-style-type: none">• Privacy Pin w/Extension (for privacy sets)• Long Inside Passage Half Spindle• 1" Wood Screws <i>supplied upon request for Hollow-Core Doors</i>• Extended Full-Lip Strike Plate	<ul style="list-style-type: none">• Extended Door Thickness: 1¾" - 2⅜" <p>Extended Components:</p> <ul style="list-style-type: none">• Privacy Pin w/Extension (for privacy sets)• Long Inside Passage Half Spindle• 1" Wood Screws• Threaded Tubes & Machine Screws <i>supplied upon request for Hollow-Core Doors</i>• Extended Full-Lip Strike Plate
--	---	---

Wrought Steel #5 Keyed Plates, Single Cylinder (7010)

<ul style="list-style-type: none">• Standard Door Thickness: 1½" - 1¾" <p>Standard Components:</p> <ul style="list-style-type: none">• Single Cylinder Tailpiece• Inside Passage Half Spindle• 1" Wood Screws• Threaded Tubes & Machine Screws <i>supplied upon request for Hollow-Core Doors</i>• 2¼" Deadbolt Mounting Screws• Full-Lip Strike Plate• Deadbolt Strike Plate	<ul style="list-style-type: none">• Extended Door Thickness: 1¾" - 2¼" <p>Extended Components:</p> <ul style="list-style-type: none">• Long Single Cylinder Tailpiece• Long Inside Passage Half Spindle• 1" Wood Screws• Threaded Tubes & Machine Screws <i>supplied upon request for Hollow-Core Doors</i>• 2½" Deadbolt Mounting Screws• Extended Full-Lip Strike Plate• Deadbolt Strike Plate	<ul style="list-style-type: none">• Extended Door Thickness: 2¼" - 2¾" <p>Extended Components:</p> <ul style="list-style-type: none">• Extra Long Single Cylinder Tailpiece• Extra Long Inside Passage Half Spindle• 1" Wood Screws• Threaded Tubes & Machine Screws <i>supplied upon request for Hollow-Core Doors</i>• 3" Deadbolt Mounting Screws• Extended Full-Lip Strike Plate• Deadbolt Strike Plate
--	--	---

TS-SP REV18A 04/04/2018